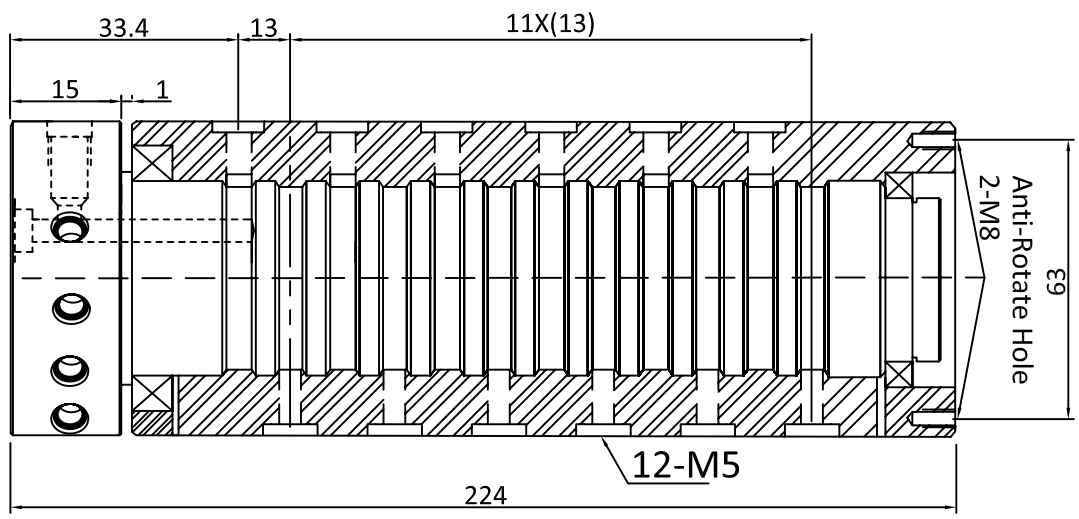
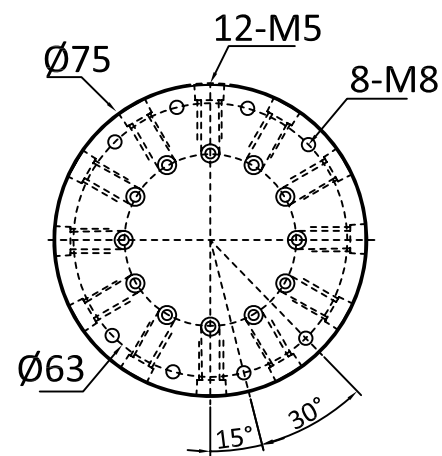
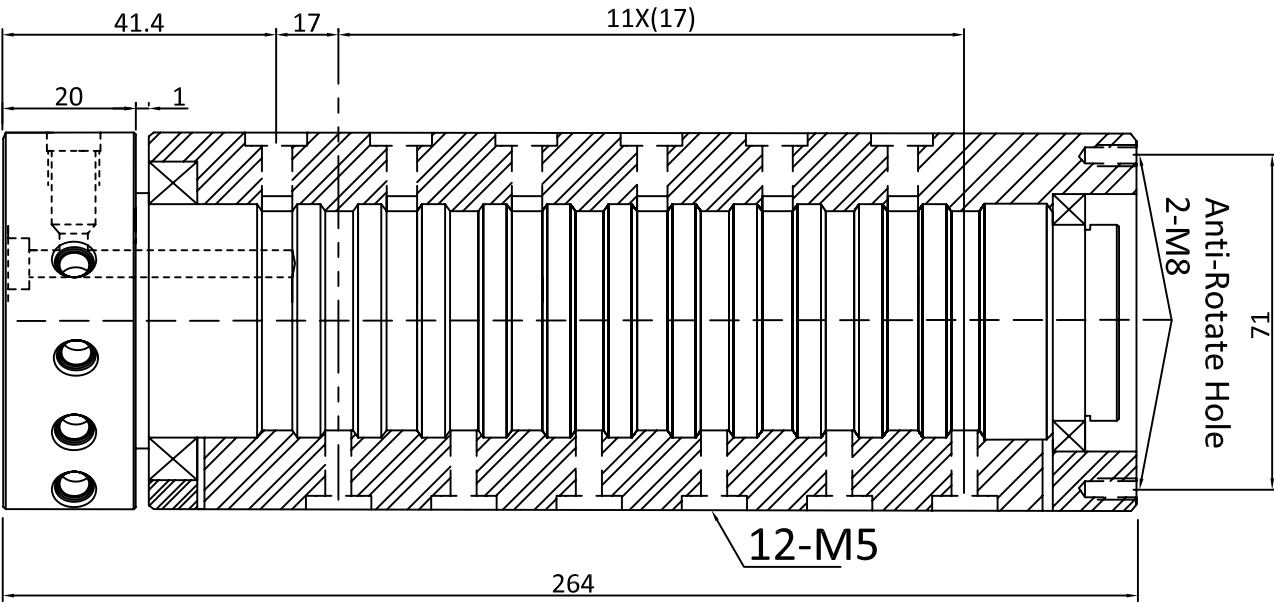
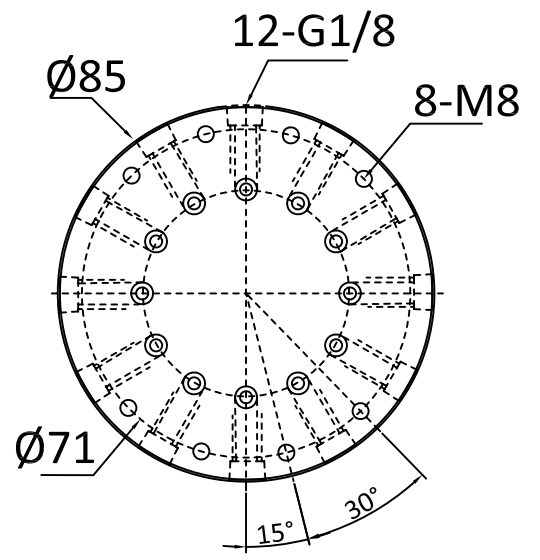


Projection



Rotor Side | Stator Side



Rotor Side | Stator Side

Working parameters:
 Max.Speed: 600RPM
 Max.pressure: 4500PSI
 Temperature Range: 5°C to 200°C
 Medium type :water gas oil and so on
 Materials :Stainless steel
 Passage:12 Passage

HIDNEY

HIDNEY ELECTRONICS

1						Drawing	Design	Audit	Approval		seals	Dynamic seal		
2											material	Stainless steel	name	rotay joint
3			Size range	Allow poor		Date of publication					bearing	High speed ball bearing	number	NO.ONE
4	Change content		Date								weight		Model	

A
B
C
D

A
B
C
D