

# DT-F-2PG



## Features

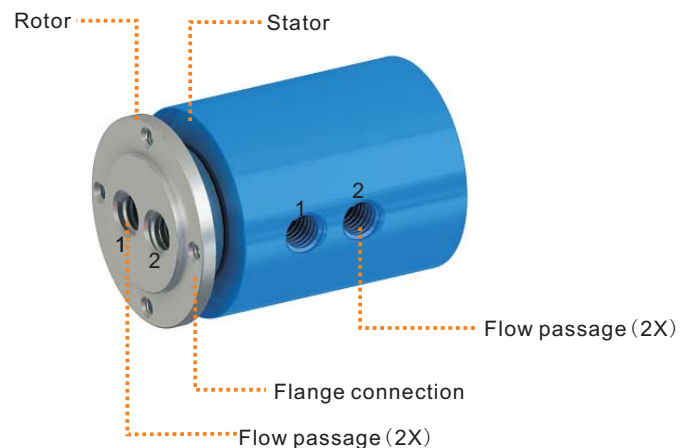
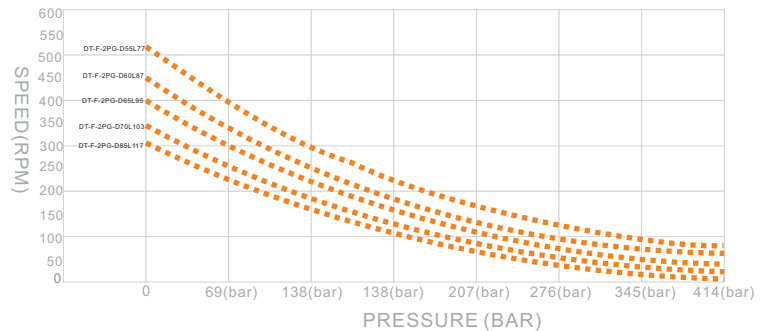
- Proprietary "slide" seal provides long life and dry-running
- Can combine gas, water, oil, vacuum in same rotary joint
- Modular design. Meet the most of requirement
- Heat-treated stainless steel rotor

## How do I choose the best rotary joint for my application?

Tell us about your requirements so we can make a recommendation

- 1) Type of media(s)/fluid(s) to be transferred
- 2) Number of independent flow passages
- 3) Operating pressure
- 4) Operating temperature
- 5) Operating speed
- 6) Shaft & housing connection type
- 7) Flow passage size
- 8) Torque & load requirements

## Performance Data



## Product code parsing

DT-F-2PG-D60L87-1/8

Product Code

Flange installation

2 Passage

Screw thread G1/8

Length 78MM

Diameter 60mm

Tel: 086-755-27222664  
Fax: 086-755-27222306

Web: <http://www erotaryjoint.com>  
Email: [sales@erotaryjoint.com](mailto:sales@erotaryjoint.com)

# DT-F-2PG

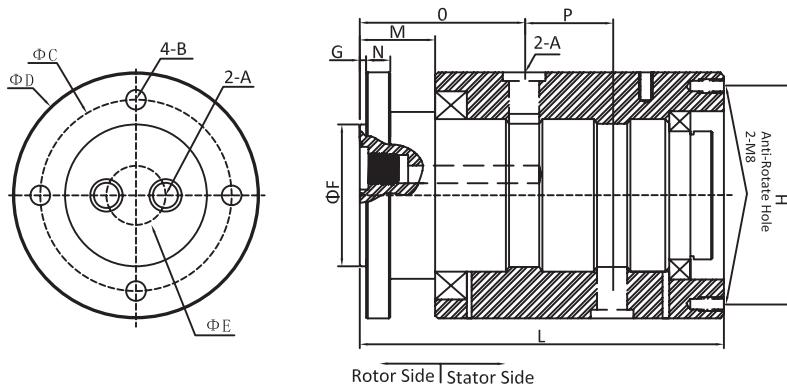


## Parameter

Max.speed	600RPM
Temperature Range	5°C to +200°C
Max.pressure	-4500PSI to 4500PSI

## Custom parameters

Max.speed	8000RPM
Temperature Range	0°C to 560°C
Max.pressure	-15000PSI to 15000PSI



## Basic Model and Size(Medium:Gas.Vacuum )

Model No.	A	B	C	D	E	F	G	H	M	N	L	O	P
DT-F-2PG-D55L77	M5	M6	45	55	12	33	2	43	17	5	77	34.4	12
DT-F-2PG-D60L87	G1/8	M6	50	60	15	38	2	48	17	5	87	36.4	16
DT-F-2PG-D65L95	G1/4	M6	55	65	18	43	2	53	17	5	95	38.4	20
DT-F-2PG-D70L103	G3/8	M8	60	70	21	48	2	56	20	8	103	40.4	24
DT-F-2PG-D85L117	G1/2	M8	71	85	25	55	2	73	20	8	117	46.4	29

## Basic Model and Size(Medium:Water.Oil .Fluid)

Model No.	A	B	C	D	E	F	G	H	M	N	L	O	P
DT-F-2PG-M14	M14x1.5	M8	58	70	19	43	2	58	20	8	129	48.4	20
DT-F-2PG-M16	M16x1.5	M8	68	80	22	48	2	68	20	8	159	52.4	28
DT-F-2PG-M22	M22x1.5	M8	83	95	28	54	2	83	22	10	194	64.4	34
DT-F-2PG-M28	M28x1.5	M10	91	105	35	61	2	91	22	10	226	72.4	40
DT-F-2PG-M33	M33x1.5	M10	101	115	41	67	2	101	22	10	260	78.4	46

## Options

Connection Sizes:	M5, G1/8, G3/8, G1/2, G3/4. Other sizes available upon request.
Connection Type:	NPT & BSPP threads standard. SAE, NPTF, and other thread options are available on a custom basis.
Media Types:	Air/Gas, Chemical, DI / Tap Water, Oil, Water/Glycol
Slip Ring Options:	The DT-F Series unions are available with a number of electrical slip ring options for power, signal and data transfer. The assembly is available with an aluminum cover to protect the slip ring during use in demanding environments.

Tel: 086-755-27222664  
Fax: 086-755-27222306

Web: <http://www.erotaryjoint.com>  
Email: [sales@erotaryjoint.com](mailto:sales@erotaryjoint.com)

# DT-F-3PG

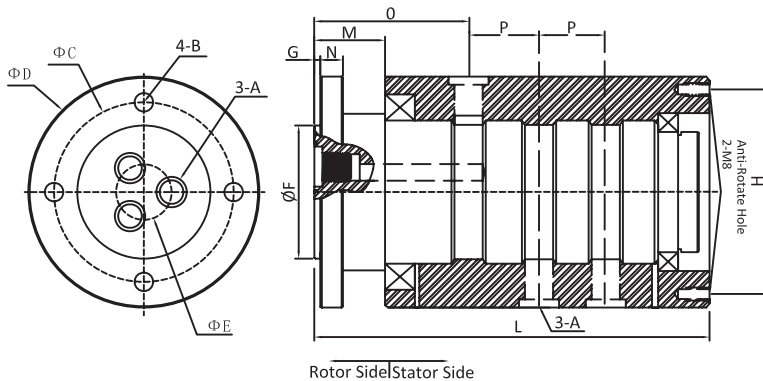


## Parameter

Max.speed	600RPM
Temperature Range	5°C to +200°C
Max.pressure	-4500PSI to 4500PSI

## Custom parameters

Max.speed	8000RPM
Temperature Range	0°C to 560°C
Max.pressure	-15000PSI to 15000PSI



## Basic Model and Size(Medium:Gas.Vacuum )

Model No.	A	B	C	D	E	F	G	H	M	N	L	O	P
DT-F-3PG-D55L89	M5	M6	45	55	12	33	2	43	17	5	89	34.4	12
DT-F-3PG-D65L103	G1/8	M6	50	65	20	42	2	53	17	5	103	36.4	16
DT-F-3PG-D70L115	G1/4	M6	60	70	23	48	2	58	17	5	115	38.4	20
DT-F-3PG-D75L131	G3/8	M8	65	75	26	53	2	63	20	8	131	40.4	24
DT-F-3PG-D85L146	G1/2	M8	73	85	30	58	2	71	20	8	146	46.4	29

## Basic Model and Size(Medium:Water.Oil .Fluid)

Model No.	A	B	C	D	E	F	G	H	M	N	L	O	P
DT-F-3PG-M14	M14x1.5	M8	58	70	19	43	2	58	20	8	142	48.4	20
DT-F-3PG-M16	M16x1.5	M8	68	80	22	48	2	68	20	8	164	52.4	28
DT-F-3PG-M22	M22x1.5	M8	83	95	28	54	2	83	22	10	185	64.4	34
DT-F-3PG-M28	M28x1.5	M10	91	105	35	61	2	91	22	10	235	72.4	40
DT-F-3PG-M33	M33x1.5	M10	101	115	41	67	2	101	22	10	280	78.4	46

## Options

Connection Sizes:	M5, G1/8, G3/8, G1/2, G3/4. Other sizes available upon request.
Connection Type:	NPT & BSPP threads standard. SAE, NPTF, and other thread options are available on a custom basis.
Media Types:	Air/Gas, Chemical, DI / Tap Water, Oil, Water/Glycol
Slip Ring Options:	The DT-F Series unions are available with a number of electrical slip ring options for power, signal and data transfer. The assembly is available with an aluminum cover to protect the slip ring during use in demanding environments.

Tel: 086-755-2722664  
Fax: 086-755-2722306

Web: <http://www erotaryjoint.com>  
Email: [sales@erotaryjoint.com](mailto:sales@erotaryjoint.com)

# DT-F-4PG

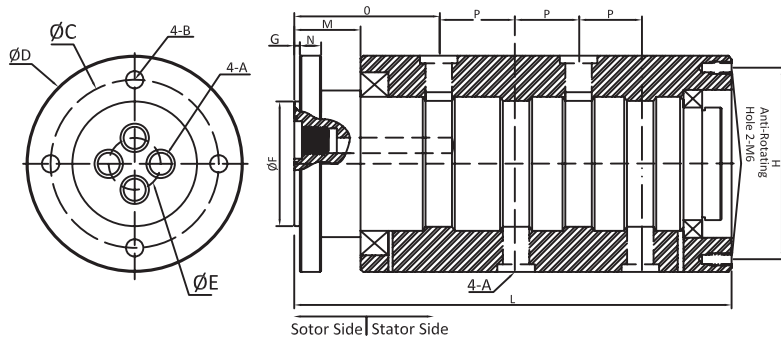


## Parameter

Max.speed	600RPM
Temperature Range	5°C to +200°C
Max.pressure	-4500PSI to 4500PSI

## Custom parameters

Max.speed	8000RPM
Temperature Range	0°C to 560°C
Max.pressure	-15000PSI to 15000PSI



## Basic Model and Size(Medium:Gas.Vacuum )

Model No.	A	B	C	D	E	F	G	H	M	N	L	O	P
DT-F-4PG-D55L101	M5	M6	45	55	12	33	2	43	17	5	101	34.4	12
DT-F-4PG-D65L119	G1/8	M6	55	65	20	43	2	53	17	5	119	36.4	16
DT-F-4PG-D80L140	G1/4	M6	70	80	28	53	2	68	17	5	140	38.4	20
DT-F-4PG-D90L159	G3/8	M8	78	90	34	63	2	76	20	8	159	40.4	24
DT-F-4PG-D95L177	G1/2	M8	81	95	35	65	2	83	20	8	177	46.4	29

## Basic Model and Size(Medium:Water.Oil .Fluid)

Model No.	A	B	C	D	E	F	G	H	M	N	L	O	P
DT-F-4PG-M14	M14x1.5	M8	58	70	19	43	2	58	20	8	165	48.4	20
DT-F-4PG-M16	M16x1.5	M8	68	80	22	48	2	68	20	8	186	52.4	28
DT-F-4PG-M22	M22x1.5	M8	83	95	28	54	2	83	22	10	209	64.4	34
DT-F-4PG-M28	M28x1.5	M10	91	105	35	61	2	91	22	10	252	72.4	40
DT-F-4PG-M33	M33x1.5	M10	101	115	41	67	2	101	22	10	300	78.4	46

## Options

Connection Sizes:	M5, G1/8, G3/8, G1/2, G3/4. Other sizes available upon request.
Connection Type:	NPT & BSPP threads standard. SAE, NPTF, and other thread options are available on a custom basis.
Media Types:	Air/Gas, Chemical, DI / Tap Water, Oil, Water/Glycol
Slip Ring Options:	The DT-F Series unions are available with a number of electrical slip ring options for power, signal and data transfer. The assembly is available with an aluminum cover to protect the slip ring during use in demanding environments.

Tel: 086-755-2722664  
Fax: 086-755-2722306

Web: <http://www erotaryjoint.com>  
Email: [sales@erotaryjoint.com](mailto:sales@erotaryjoint.com)

# DT-F-6PG

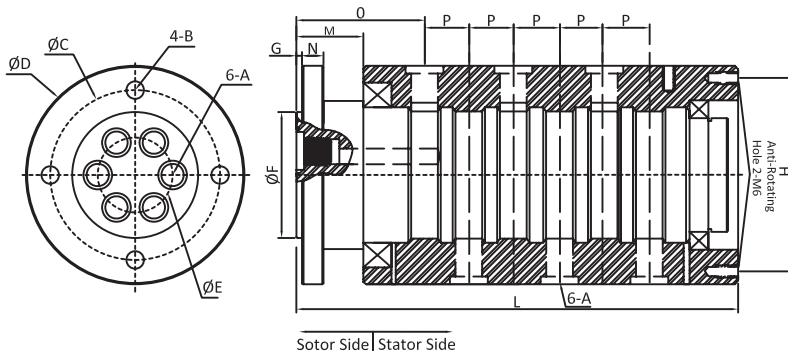


## Parameter

Max.speed	600RPM
Temperature Range	5°C to +200°C
Max.pressure	-4500PSI to 4500PSI

## Custom parameters

Max.speed	8000RPM
Temperature Range	0°C to 560°C
Max.pressure	-15000PSI to 15000PSI



## Basic Model and Size(Medium:Gas.Vacuum )

Model No.	A	B	C	D	E	F	G	H	M	N	L	O	P
DT-F-6PG-D60L127	M5	M6	50	60	17	38	2	48	17	5	127	34.4	12
DT-F-6PG-D80L158	G1/8	M6	70	80	28	52	2	68	17	5	158	36.4	16
DT-F-6PG-D90L182	G1/4	M6	76	90	38	63	2	78	17	5	182	38.4	20
DT-F-6PG-D110L215	G3/8	M10	96	110	42	73	2	98	20	8	215	47.4	25
DT-F-6PG-D115L239	G1/2	M10	101	115	50	78	2	103	20	8	239	49.5	29

## Basic Model and Size(Medium:Water.Oil .Fluid)

Model No.	A	B	C	D	E	F	G	H	M	N	L	O	P
DT-F-6PG-M14	M14x1.5	M8	83	95	44	68	2	83	20	8	185	52.4	25
DT-F-6PG-M16	M16x1.5	M8	108	120	52	82	2	108	20	8	246	56.4	32
DT-F-6PG-M22	M22x1.5	M8	118	130	58	90	2	118	22	10	288	70.4	38
DT-F-6PG-M28	M28x1.5	M10	131	145	64	101	2	131	22	10	310	76.4	46
DT-F-6PG-M33	M33x1.5	M10	146	160	70	116	2	146	22	10	380	82.4	55

## Options

Connection Sizes:	M5, G1/8, G3/8, G1/2, G3/4. Other sizes available upon request.
Connection Type:	NPT & BSPP threads standard. SAE, NPTF, and other thread options are available on a custom basis.
Media Types:	Air/Gas, Chemical, DI / Tap Water, Oil, Water/Glycol
Slip Ring Options:	The DT-F Series unions are available with a number of electrical slip ring options for power, signal and data transfer. The assembly is available with an aluminum cover to protect the slip ring during use in demanding environments.

Tel: 086-755-27222664  
Fax: 086-755-27222306

Web: <http://www.erotaryjoint.com>  
Email: [sales@erotaryjoint.com](mailto:sales@erotaryjoint.com)



# DT-F-8PG

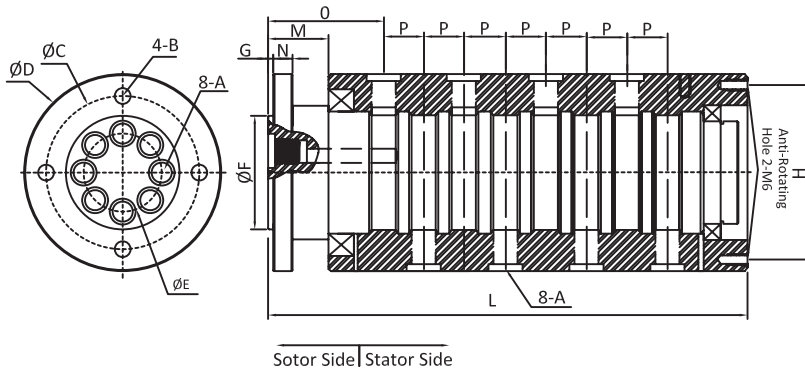


## Parameter

Max.speed	600RPM
Temperature Range	5°C to +200°C
Max.pressure	-4500PSI to 4500PSI

## Custom parameters

Max.speed	8000RPM
Temperature Range	0°C to 560°C
Max.pressure	-15000PSI to 15000PSI



## Basic Model and Size

Model No.	A	B	C	D	E	F	G	H	M	N	L	O	P
DT-F-8PG-D65L151	M5	M6	55	65	22	43	2	53	17	5	151	34.4	12
DT-F-8PG-D85L192	G1/8	M6	75	85	35	58	2	73	17	5	192	37.4	17
DT-F-8PG-D95L231	G1/4	M6	85	95	38	68	2	78	17	5	231	41.4	21
DT-F-8PG-D120L265	G3/8	M10	106	120	42	73	2	108	20	8	239	47.4	25
DT-F-8PG-D125L297	G1/2	M10	111	125	50	88	2	113	20	8	297	49.5	29

## Options

Connection Sizes:	M5, G1/8, G3/8, G1/2, G3/4. Other sizes available upon request.
Connection Type:	NPT & BSPP threads standard. SAE, NPTF, and other thread options are available on a custom basis.
Media Types:	Air/Gas, Chemical, DI / Tap Water, Oil, Water/Glycol
Slip Ring Options:	The DT-F Series unions are available with a number of electrical slip ring options for power, signal and data transfer. The assembly is available with an aluminum cover to protect the slip ring during use in demanding environments.

# DT-F-16PG

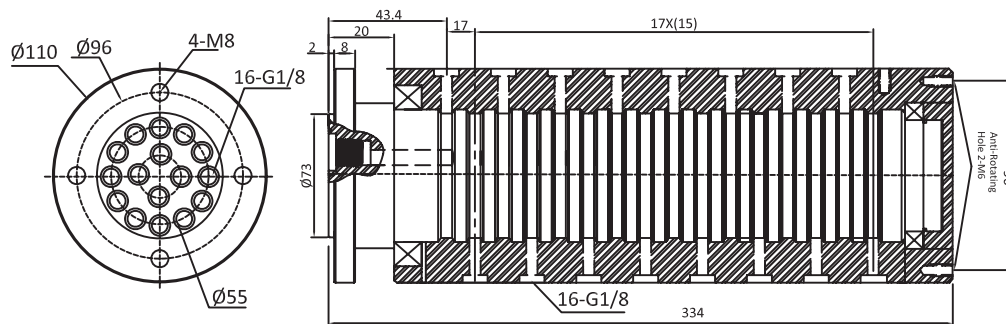


## Parameter

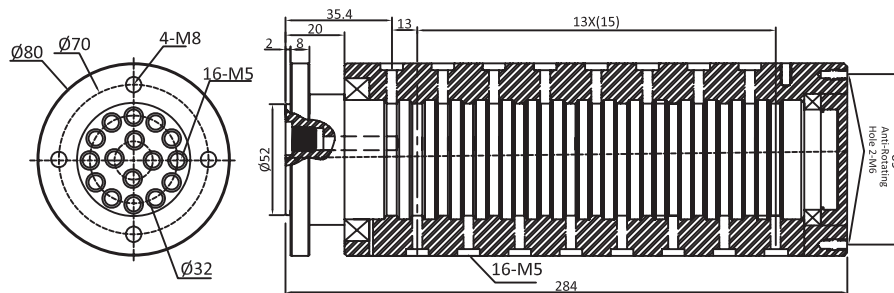
Max.speed	600RPM
Temperature Range	5°C to +200°C
Max.pressure	-4500PSI to 4500PSI

## Custom parameters

Max.speed	8000RPM
Temperature Range	0°C to 560°C
Max.pressure	-15000PSI to 15000PSI



Sotor Side | Stator Side



Sotor Side | Stator Side



## Options

Connection Sizes:	M5, G1/8, G3/8, G1/2, G3/4. Other sizes available upon request.
Connection Type:	NPT & BSPP threads standard. SAE, NPTF, and other thread options are available on a custom basis.
Media Types:	Air/Gas, Chemical, DI / Tap Water, Oil, Water/Glycol
Slip Ring Options:	The DT-F Series unions are available with a number of electrical slip ring options for power, signal and data transfer. The assembly is available with an aluminum cover to protect the slip ring during use in demanding environments.

# DT-2PG



## Features

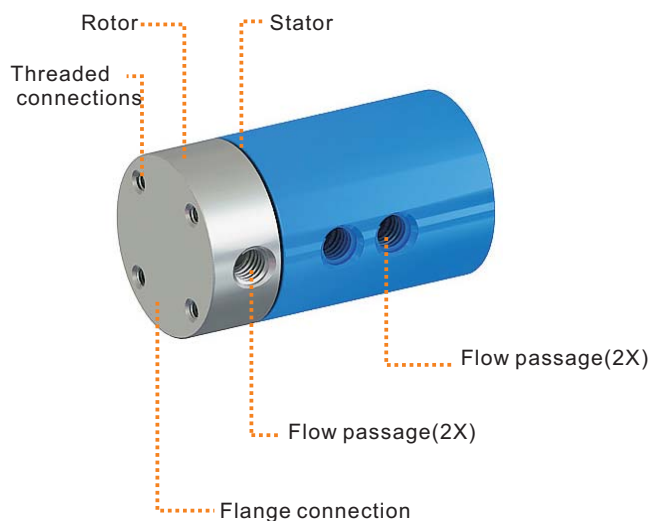
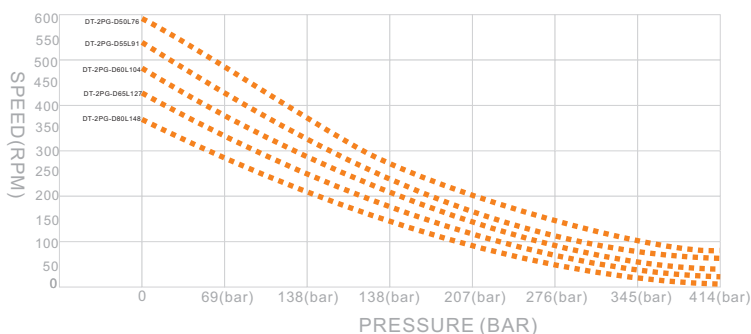
- Proprietary "slide" seal provides long life and dry-running
- Can combine gas, water, oil, vacuum in same rotary joint
- Modular design. Meet the most of requirement
- Heat-treated stainless steel rotor

## How do I choose the best rotary joint for my application?

Tell us about your requirements so we can make a recommendation

- 1) Type of media(s)/fluid(s) to be transferred
- 2) Number of independent flow passages
- 3) Operating pressure
- 4) Operating temperature
- 5) Operating speed
- 6) Shaft & housing connection type
- 7) Flow passage size
- 8) Torque & load requirements

## Performance Data



## Product code parsing

DT-2PG-D55L91-1/8

Product Code

Screw thread G1/8

2 Passage

Length 91MM

Diameter 55mm

Tel: 086-755-27222664  
Fax: 086-755-27222306

Web: <http://www.erotaryjoint.com>  
Email: [sales@erotaryjoint.com](mailto:sales@erotaryjoint.com)



# DT-2PG

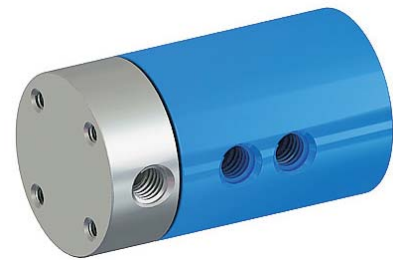
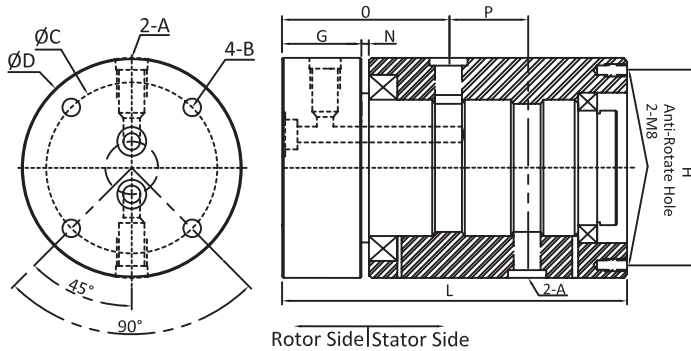


## Parameter

Max.speed	600RPM
Temperature Range	5°C to +200°C
Max.pressure	-4500PSI to 4500PSI

## Custom parameters

Max.speed	8000RPM
Temperature Range	0°C to 560°C
Max.pressure	-15000PSI to 15000PSI



## Basic Model and Size

Model No.	A	B	C	D	E	F	G	H	M	N	L	O	P
DT-2PG-D50L76	M5	M6	36	50	-	-	15	38	-	1	76	33.4	12
DT-2PG-D55L91	G1/8	M6	46	55	-	-	20	43	-	1	91	40.4	14
DT-2PG-D60L104	G1/4	M6	48	60	-	-	25	48	-	1	104	47.4	20
DT-2PG-D65L127	G3/8	M8	51	65	-	-	40	53	-	1	127	64.4	24
DT-2PG-D80L148	G1/2	M8	66	80	-	-	45	68	-	1	148	74.4	29

## Options

Connection Sizes:	M5, G1/8, G3/8, G1/2, G3/4. Other sizes available upon request.
Connection Type:	NPT & BSPP threads standard. SAE, NPTF, and other thread options are available on a custom basis.
Media Types:	Air/Gas, Chemical, DI / Tap Water, Oil, Water/Glycol
Slip Ring Options:	The DT Series unions are available with a number of electrical slip ring options for power, signal and data transfer. The assembly is available with an aluminum cover to protect the slip ring during use in demanding environments.

# DT-4PG

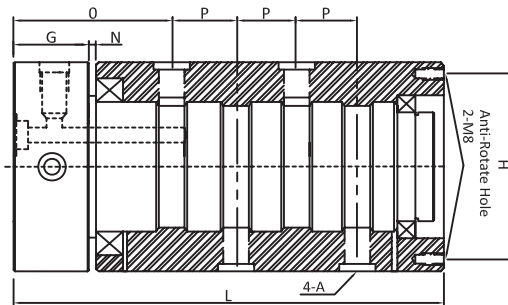
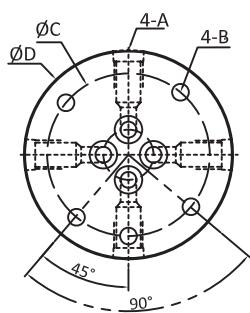


## Parameter

Max.speed	600RPM
Temperature Range	5°C to +200°C
Max.pressure	-4500PSI to 4500PSI

## Custom parameters

Max.speed	8000RPM
Temperature Range	0°C to 560°C
Max.pressure	-15000PSI to 15000PSI



Rotor Side | Stator Side



## Basic Model and Size

Model No.	A	B	C	D	E	F	G	H	M	N	L	O	P
DT-4PG-D55L100	M5	M6	45	55	-	-	15	43	-	1	100	33.4	12
DT-4PG-D60L123	G1/8	M6	50	60	-	-	20	48	-	1	123	40.4	16
DT-4PG-D65L144	G1/4	M6	55	65	-	-	25	53	-	1	144	47.4	20
DT-4PG-D75L180	G3/8	M8	60	75	-	-	40	63	-	1	180	65.4	25
DT-4PG-D90L203	G1/2	M8	76	90	-	-	45	78	-	1	203	77.4	29

## Options

Connection Sizes:	M5, G1/8, G3/8, G1/2, G3/4. Other sizes available upon request.
Connection Type:	NPT & BSPP threads standard. SAE, NPTF, and other thread options are available on a custom basis.
Media Types:	Air/Gas, Chemical, DI / Tap Water, Oil, Water/Glycol
Slip Ring Options:	The DT Series unions are available with a number of electrical slip ring options for power, signal and data transfer. The assembly is available with an aluminum cover to protect the slip ring during use in demanding environments.

# DT-6PG

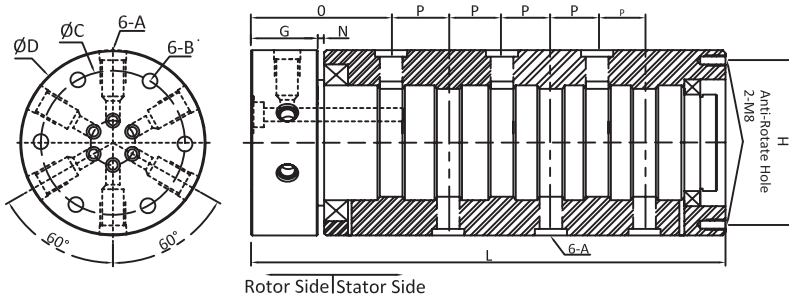


## Parameter

Max.speed	600RPM
Temperature Range	5°C to +200°C
Max.pressure	-4500PSI to 4500PSI

## Custom parameters

Max.speed	8000RPM
Temperature Range	0°C to 560°C
Max.pressure	-15000PSI to 15000PSI



## Basic Model and Size

Model No.	A	B	C	D	E	F	G	H	M	N	L	O	P
DT-6PG-D60L126	M5	M6	46	60	-	-	15	48	-	1	126	33.4	12
DT-6PG-D65L155	G1/8	M6	55	65	-	-	20	53	-	1	155	40.4	16
DT-6PG-D70L184	G1/4	M6	56	70	-	-	25	59	-	1	184	47.4	20
DT-6PG-D80L230	G3/8	M10	66	80	-	-	40	68	-	1	230	65.4	25
DT-6PG-D115L265	G1/2	M10	101	115	-	-	45	98	-	1	285	77.4	29

## Options

Connection Sizes:	M5, G1/8, G3/8, G1/2, G3/4. Other sizes available upon request.
Connection Type:	NPT & BSPP threads standard. SAE, NPTF, and other thread options are available on a custom basis.
Media Types:	Air/Gas, Chemical, DI / Tap Water, Oil, Water/Glycol
Slip Ring Options:	The DT Series unions are available with a number of electrical slip ring options for power, signal and data transfer. The assembly is available with an aluminum cover to protect the slip ring during use in demanding environments.

# DT-8PG

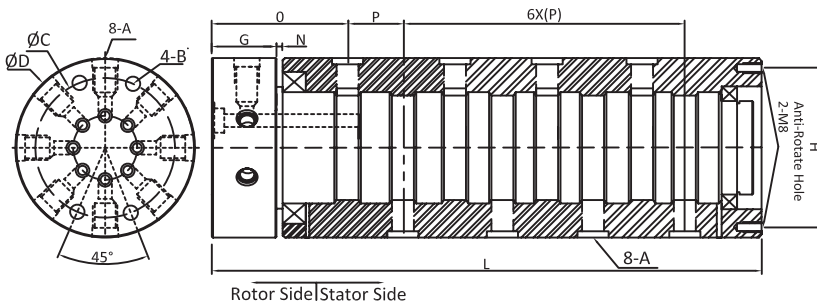


## Parameter

Max.speed	600RPM
Temperature Range	5°C to +200°C
Max.pressure	-4500PSI to 4500PSI

## Custom parameters

Max.speed	8000RPM
Temperature Range	0°C to 560°C
Max.pressure	-15000PSI to 15000PSI



## Basic Model and Size

Model No.	A	B	C	D	E	F	G	H	M	N	L	O	P
DT-8PG-D60L150	M5	M6	46	60	-	-	15	48	-	1	150	33.4	12
DT-8PG-D70L187	G1/8	M6	56	70	-	-	20	53	-	1	187	40.4	16
DT-8PG-D85L233	G1/4	M6	71	85	-	-	25	73	-	1	233	48.4	21
DT-8PG-D100L283	G3/8	M10	86	100	-	-	40	88	-	1	283	68.4	25
DT-8PG-D120L323	G1/2	M10	106	120	-	-	45	108	-	1	323	75.4	29

## Options

Connection Sizes:	M5, G1/8, G3/8, G1/2, G3/4. Other sizes available upon request.
Connection Type:	NPT & BSPP threads standard. SAE, NPTF, and other thread options are available on a custom basis.
Media Types:	Air/Gas, Chemical, DI / Tap Water, Oil, Water/Glycol
Slip Ring Options:	The DT Series unions are available with a number of electrical slip ring options for power, signal and data transfer. The assembly is available with an aluminum cover to protect the slip ring during use in demanding environments.

# DT-10PG

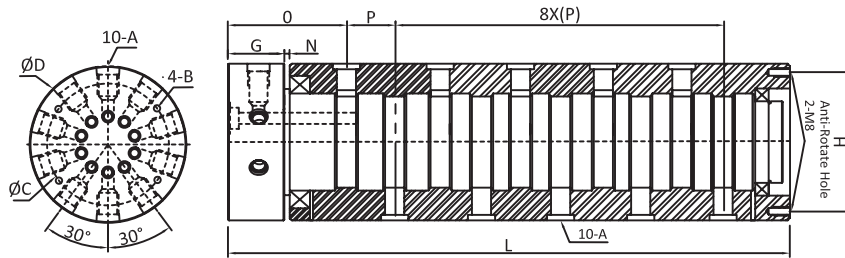


## Parameter

Max.speed	600RPM
Temperature Range	5°C to +200°C
Max.pressure	-4500PSI to 4500PSI

## Custom parameters

Max.speed	8000RPM
Temperature Range	0°C to 560°C
Max.pressure	-15000PSI to 15000PSI



Rotor Side | Stator Side



## Basic Model and Size

Model No.	A	B	C	D	E	F	G	H	M	N	L	O	P
DT-10PG-D65L164	M5	M6	55	65	-	-	15	53	-	1	164	33.4	12
DT-10PG-D80L230	G1/8	M6	66	80	-	-	20	68	-	1	230	41.4	17
DT-10PG-D90L275	G1/4	M8	78	90	-	-	25	78	-	1	273	48.4	21
-	-	-	-	-	-	-	-	-	-	-	-	-	-
-	-	-	-	-	-	-	-	-	-	-	-	-	-

## Options

Connection Sizes:	M5, G1/8, G3/8, G1/2, G3/4. Other sizes available upon request.
Connection Type:	NPT & BSPP threads standard. SAE, NPTF, and other thread options are available on a custom basis.
Media Types:	Air/Gas, Chemical, DI / Tap Water, Oil, Water/Glycol
Slip Ring Options:	The DT Series unions are available with a number of electrical slip ring options for power, signal and data transfer. The assembly is available with an aluminum cover to protect the slip ring during use in demanding environments.

# DT-12PG

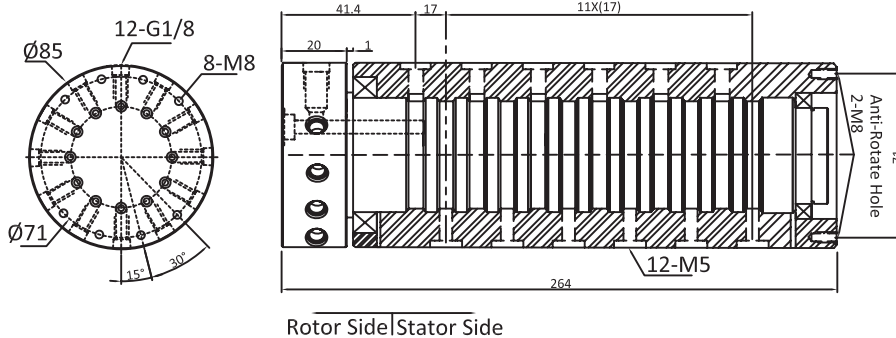
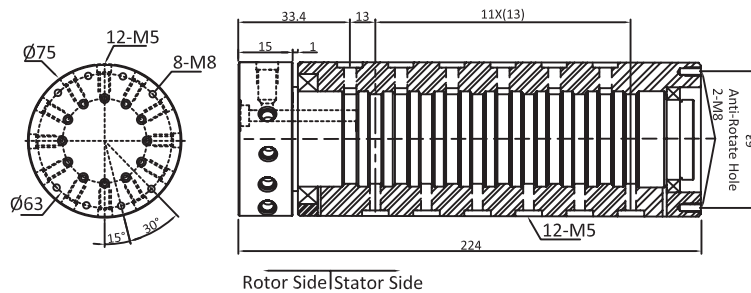


## Parameter

Max.speed	600RPM
Temperature Range	5°C to +200°C
Max.pressure	-4500PSI to 4500PSI

## Custom parameters

Max.speed	8000RPM
Temperature Range	0°C to 560°C
Max.pressure	-15000PSI to 15000PSI



## Options

Connection Sizes:	M5, G1/8, G3/8, G1/2, G3/4. Other sizes available upon request.
Connection Type:	NPT & BSPP threads standard. SAE, NPTF, and other thread options are available on a custom basis.
Media Types:	Air/Gas, Chemical, DI / Tap Water, Oil, Water/Glycol
Slip Ring Options:	The DT Series unions are available with a number of electrical slip ring options for power, signal and data transfer. The assembly is available with an aluminum cover to protect the slip ring during use in demanding environments.



# DT-16PG

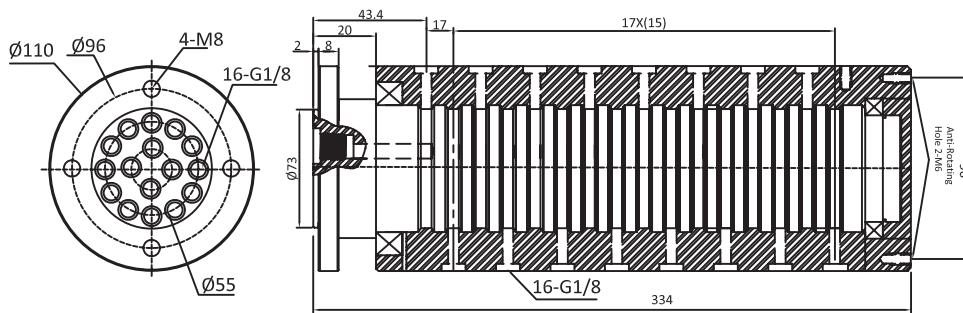


## Parameter

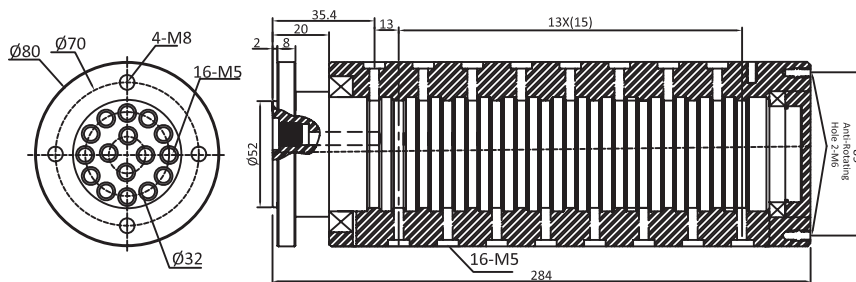
Max.speed	600RPM
Temperature Range	5°C to +200°C
Max.pressure	-4500PSI to 4500PSI

## Custom parameters

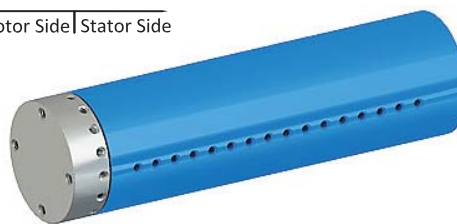
Max.speed	8000RPM
Temperature Range	0°C to 560°C
Max.pressure	-15000PSI to 15000PSI



Sotor Side | Stator Side



Sotor Side | Stator Side



## Options

Connection Sizes:	M5, G1/8, G3/8, G1/2, G3/4. Other sizes available upon request.
Connection Type:	NPT & BSPP threads standard. SAE, NPTF, and other thread options are available on a custom basis.
Media Types:	Air/Gas, Chemical, DI / Tap Water, Oil, Water/Glycol
Slip Ring Options:	The DT Series unions are available with a number of electrical slip ring options for power, signal and data transfer. The assembly is available with an aluminum cover to protect the slip ring during use in demanding environments.

# DT-24PG

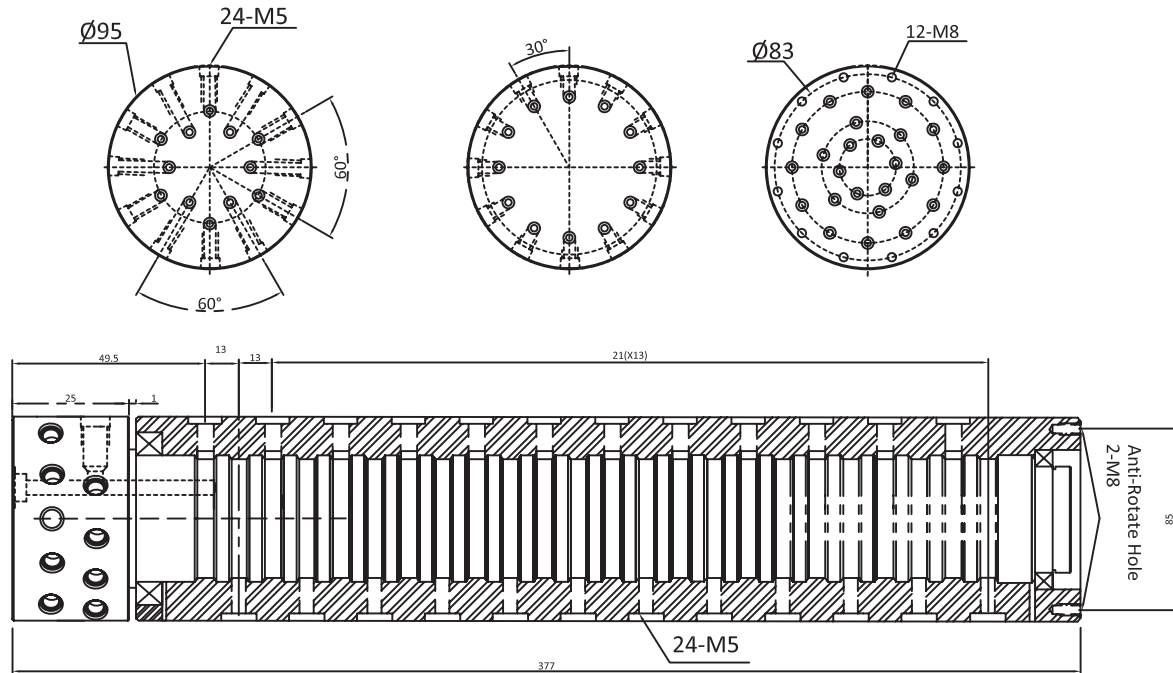


## Parameter

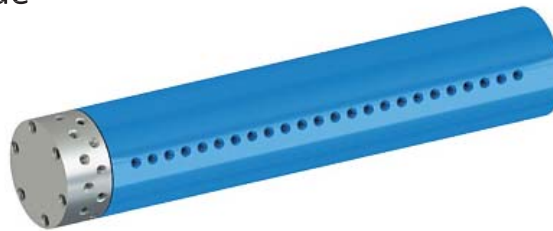
Max.speed	600RPM
Temperature Range	5°C to +200°C
Max.pressure	-4500PSI to 4500PSI

## Custom parameters

Max.speed	8000RPM
Temperature Range	0°C to 560°C
Max.pressure	-15000PSI to 15000PSI



Rotor Side | Stator Side



## Options

Connection Sizes:	M5, G1/8, G3/8, G1/2, G3/4. Other sizes available upon request.
Connection Type:	NPT & BSPP threads standard. SAE, NPTF, and other thread options are available on a custom basis.
Media Types:	Air/Gas, Chemical, DI / Tap Water, Oil, Water/Glycol
Slip Ring Options:	The DT Series unions are available with a number of electrical slip ring options for power, signal and data transfer. The assembly is available with an aluminum cover to protect the slip ring during use in demanding environments.

Tel: 086-755-27222664  
Fax: 086-755-27222306

Web: <http://www erotaryjoint.com>  
Email: [sales@erotaryjoint.com](mailto:sales@erotaryjoint.com)

# Company



## COMPANY PROFILES



HIDNEY Electronic co.,limited established in 2005 and located in shenzhen china,we offer integrated solttions to helo our customers achieve their pro ject goals.from design and manufacturing through to testing and qualification Our core business segments are fluid rotary unions .Electrical slip rings and value-added products and services providing a single source solution aimed at reducing costs ,increasing efficiency and dereasing risk.

HIDNEY focused on the design.manufacture and test of high quality products rotary union thchnology department use advanced CAD/CAM and production department use advanced CNC processing.

The entire HIDNEY prouct range is manufactured at the the cut-ting edge of technolog form the very firrst drawing to the final production modern CNC maching centres tra nsform highest quality materials into precision componen ts cost-effective production is achiveed by applying new technology and the most modern equipment .

The core of ratating union is the seal combination seal faces manufactured form tool steel carbon graphite bronze ceramic tungsten carbide or silicon carbide are micro-lapp ed to a sur-face finish of 0.028RMS and an optical flatness of 2light bands to ensure the above specifications the near profect flatness is tested under momo-chromatic light.



For HIDENY customer-orientated service means:

customisation and/or newly engineered unions for special requirements and all-encompassing technical consultation by union selection either from the HIDENY facility or in the field by one of our representatives sh ort-term delivery of all selected components and finally fast troublessho oting of any and all problems.

A broad assortment of unions is produced for stock and can be procured quickly An automatic warehousing system enables all required compinen ts to be localised fast and effectively



Years of experience constant dialogues with customers,in-house and supplier innovations have enabled HIDENY to offer reliable rotating unions at the cutting edge of technology ,the right seal combination com patible to the media guarantees the maximum service life for every particular application.

Besides new developments and the constant modification of existing products it is above all better wear-resistant seal com-binations that accommodate these market demands HIDENY offers these seal combin ations under the designation extended life sealing

Tel: 086-755-27222664  
Fax: 086-755-27222306

Web:<http://www erotaryjoint.com>  
Email:[sales@erotaryjoint.com](mailto:sales@erotaryjoint.com)



# Company



## COMPANY PROFILES



### Quality Management

Our certified Quality Management System drives engagement at every level empowering everyone to make decisions originate preventive action and drive continuous improvement.

Tel: 086-755-27222664  
Fax: 086-755-27222306

Web: <http://www erotaryjoint.com>  
Email: [sales@erotaryjoint.com](mailto:sales@erotaryjoint.com)