

Features

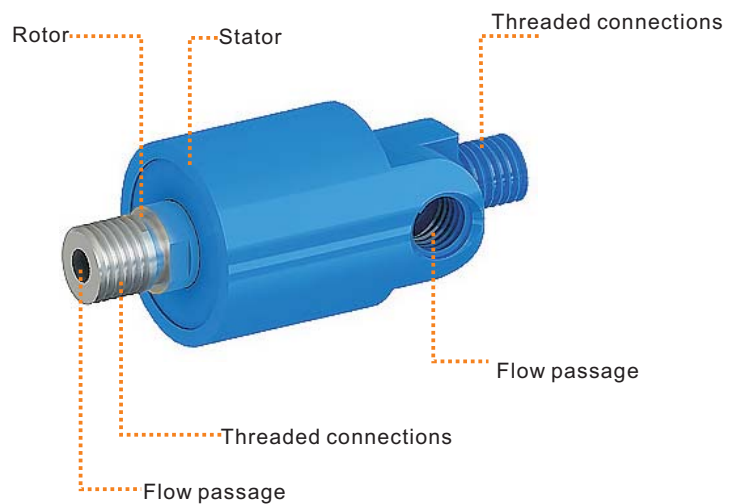
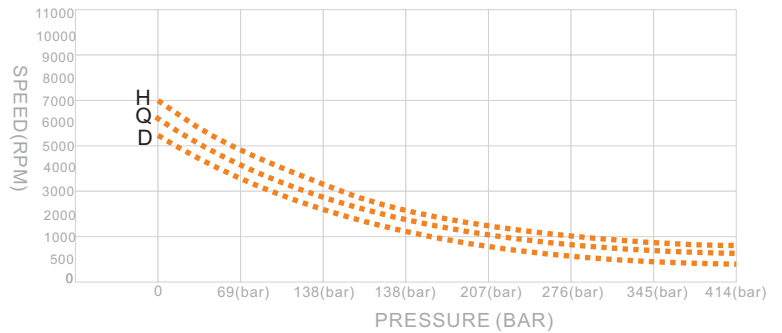
- Proprietary "slide" seal provides long life and dry-running
- Can combine gas, water, oil, vacuum in same rotary joint
- Module design. Meet the most of requirement
- Heat-treated stainless steel rotor

How do I choose the best rotary joint for my application?

Tell us about your requirements so we can make a recommendation

- 1) Type of media(s)/fluid(s) to be transferred
- 2) Number of independent flow passages
- 3) Operating pressure
- 4) Operating temperature
- 5) Operating speed
- 6) Shaft & housing connection type
- 7) Flow passage size
- 8) Torque & load requirements

Performance Data



Product code parsing

H.Q.D-D(S)-G1/8

Product Code

threaded connections G1/8

Single loop (Double circuit)

H D Q



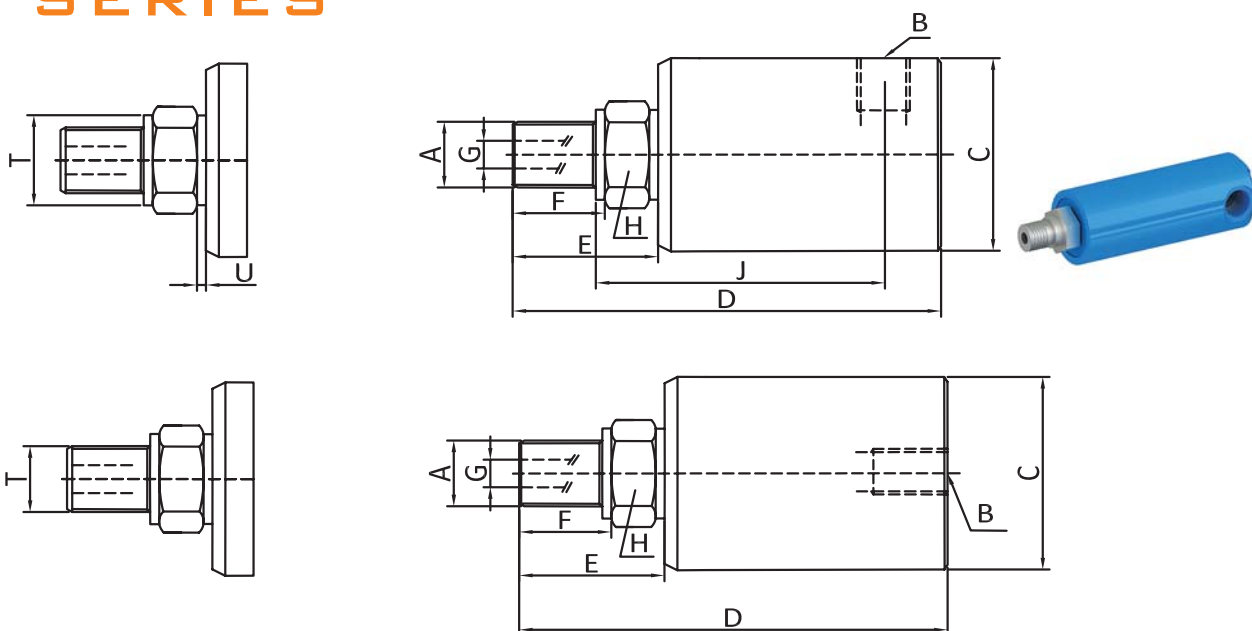
Parameter

Max.speed	6000RPM
Temperature Range	5°C to 150°C
Max.pressure	0PSI to 7500PSI

Custom parameters

Max.speed	11000RPM
Temperature Range	0°C to 560°C
Max.pressure	-15000PSI to 15000PSI

HD SERIES



OUTLINE DIMENSION		(UNIT) mm									
DN	TYPE	A	B	CØ	D	E	F	GØ	H	J	T _{øh11}
3.2	HD-G1/8	G1/8	G1/8	35	72	22	11	3.2	17	54	15
6.5	HD-G1/4	G1/4	G1/4	44	81	25	14	6.5	22	58	18
10	HD-G3/8	G3/8	G3/8	49	101	26	16	9.5	22	71.5	22
15	HD-G1/2	G1/2	G1/2	64	123	34	19	12.7	24	89	30
20	HD-G3/4	G3/4	G3/4	73	137	36	19	17.5	30	100	35
25	HD-G1	G1	G1	94	161	43	22	25	36	117	45
32	HD-G1 ^{1/4}	G1 ^{1/4}	G1 ^{1/4}	99	182	54	27	31.8	41	127	50
40	HD-G1 ^{1/2}	G1 ^{1/2}	G1 ^{1/2}	108	200	58	29	38	50	138	60

Tel: 086-755-27222664
 Fax: 086-755-27222306

Web: <http://www erotaryjoint.com>
 Email: sales@erotaryjoint.com

H D Q



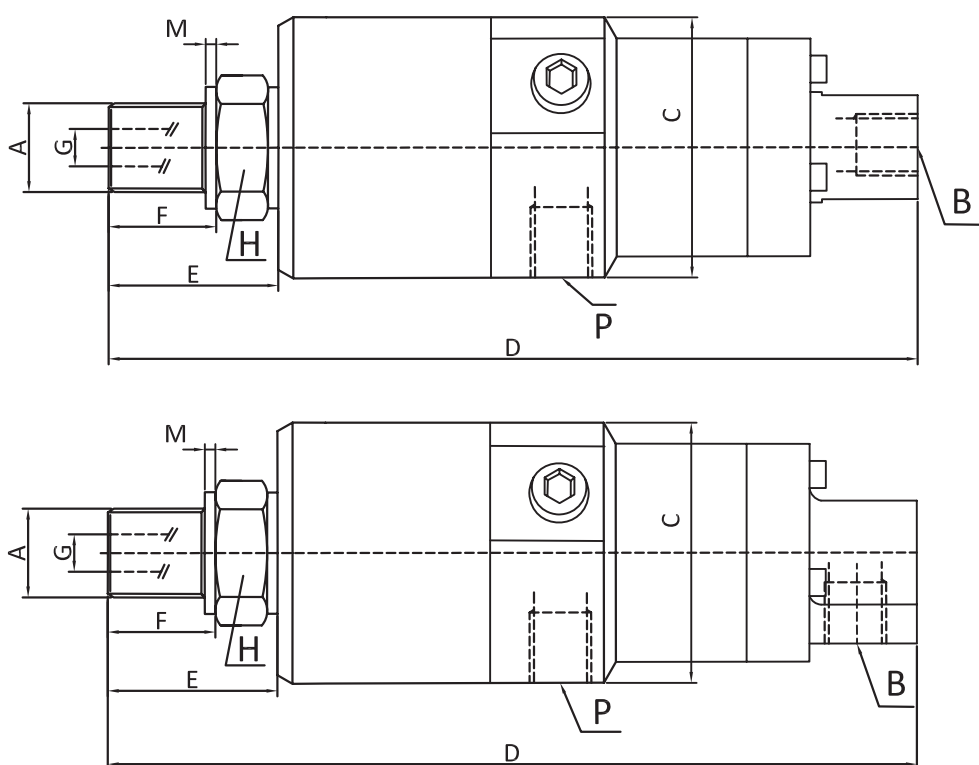
Parameter

Max.speed	6000RPM
Temperature Range	5°C to 150°C
Max.pressure	0PSI to 7500PSI

Custom parameters

Max.speed	11000RPM
Temperature Range	0°C to 560°C
Max.pressure	-15000PSI to 15000PSI

HS SERIES



OUTLINE DIMENSION (UNIT) mm										
TYPE	A	B	∅	D	E	F	G∅	H	P	M
HS-G1/8	M16 X1.5 LH	G3/8	53	108	22	11	6	17	G1/8	5
HS-G1/4	M16 X1.5 LH	G1/4	53	129	31	11	9	24	G1/4	5
HS-G3/8	M16 X1.5 LH	G3/8	53	138	34	14	9	24	G1/4	5

H D Q



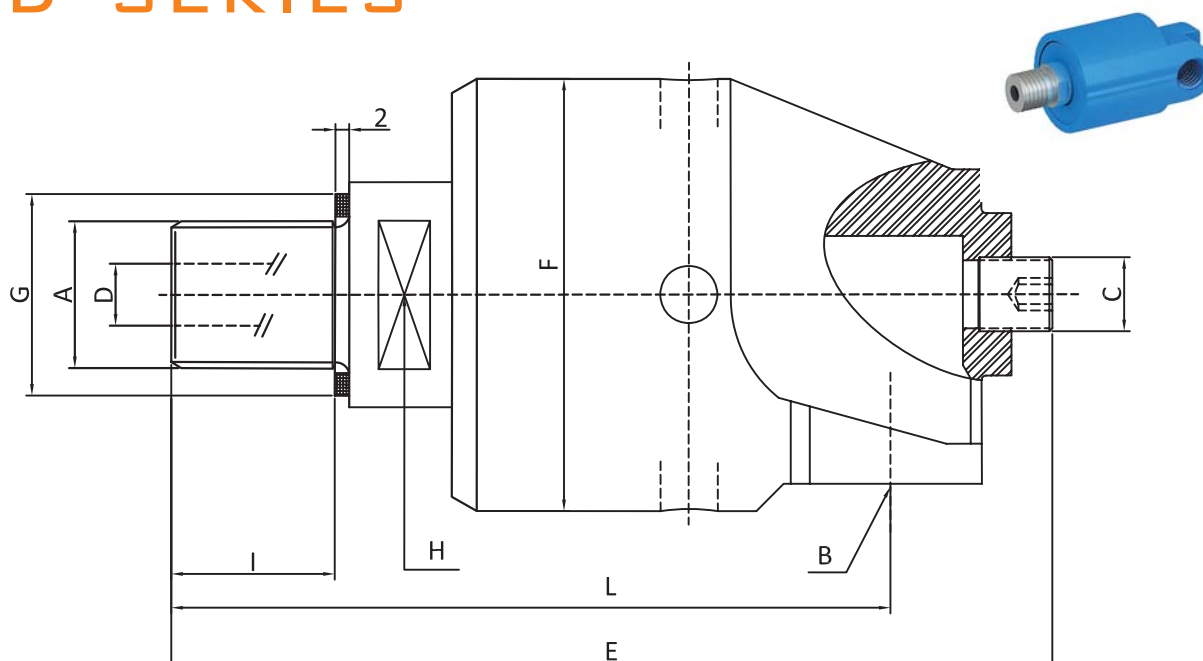
Parameter

Max.speed	6000RPM
Temperature Range	5°C to 150°C
Max.pressure	0PSI to 7500PSI

Custom parameters

Max.speed	11000RPM
Temperature Range	0°C to 560°C
Max.pressure	-15000PSI to 15000PSI

QD SERIES



OUTLINE DIMESION		(UNIT) mm									
DN	TYPE	A	B	C	D	E	F \emptyset	G \emptyset	H	I	L
7	QD-G1/4	G1/4	G1/4	-	7	88	43	20	17	11	67
9	QD-G3/8	G3/8	G3/8	G1/4	9	106	43	25	17	13	73
13	QD-G1/2	G1/2	G1/2	G3/8	13	120	55	30	24	13	82
18	QD-G3/4	G3/4	G3/4	G1/2	18	139	64	37	30	16	94
23	QD-G1	G1	G1	G3/4	23	162	70	45	36	20	105
31	QD-G1 ^{1/4}	G1 ^{1/4}	G1 ^{1/4}	G1	31	181	85	55	46	22	119
36	HD-G1 ^{1/2}	G1 ^{1/2}	G1 ^{1/2}	G1 ^{1/4}	36	208	92	60	50	24	132
48	HD-G2	G2	G2	G1 ^{1/4}	48	223	110	70	60	25	139

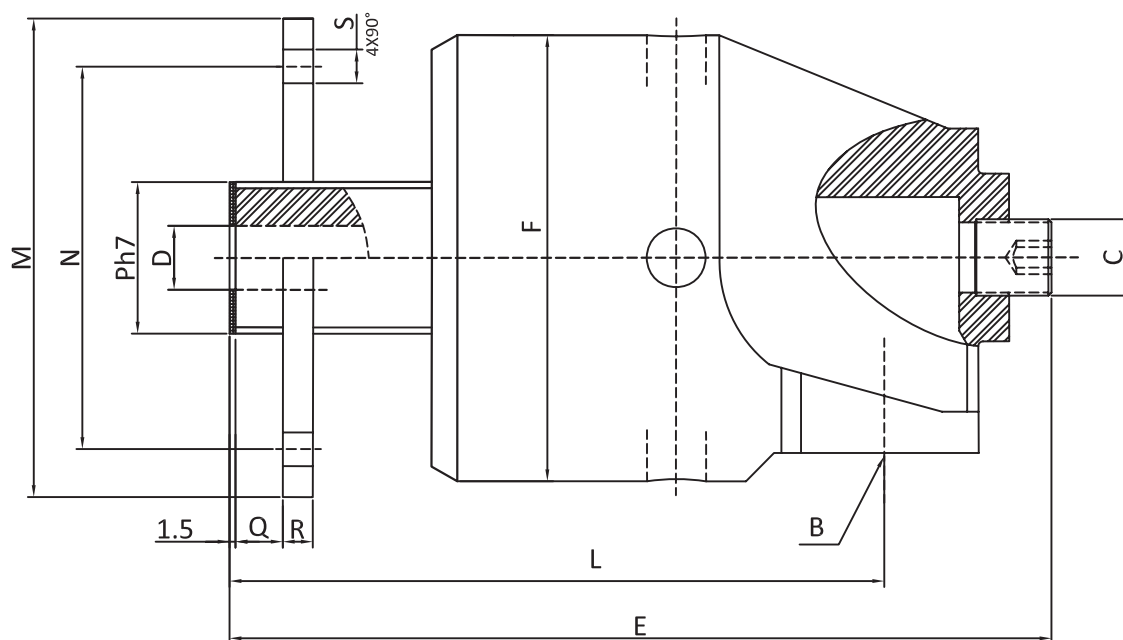
Parameter

Max.speed	6000RPM
Temperature Range	5°C to 150°C
Max.pressure	0PSI to 7500PSI

Custom parameters

Max.speed	11000RPM
Temperature Range	0°C to 560°C
Max.pressure	-15000PSI to 15000PSI

Q D SERIES



OUTLINE DIMENSION		(UNIT) mm									
TYPE	B	C	DØ	E	FØ	L	MØ	NØ	Ph7	Q	R
QDF-G3/8	G3/8	G1/4	9	109	43	82	53	38	18	6	8
QDF-G1/2	G1/2	G3/8	13	125	55	92	60	45	25	6	10
QDF-G3/4	G3/4	G1/2	18	137	64	101	68	50	30	6	10
QDF-G1	G1	G3/4	23	164	70	119	78	60	36	7	10
QDF-G1 ^{1/4}	G1 ^{1/4}	G1 ^{1/4}	31	182	85	133	94	70	44	8	12
QDF-G1 ^{1/2}	G1 ^{1/2}	G1 ^{1/2}	G1 ^{1/4}	203	92	139	99	78	52	10	14
QDF-G2	G2	G2	G1 ^{1/4}	224	110	154	119	95	65	10	14

H D Q



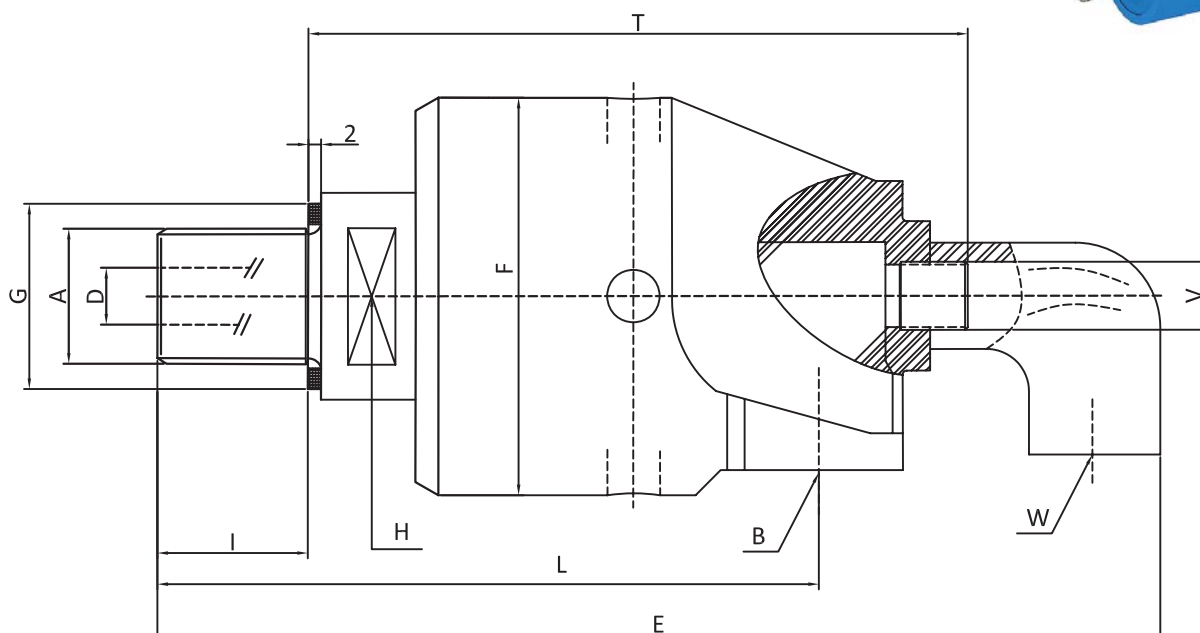
Parameter

Max.speed	6000RPM
Temperature Range	5°C to 150°C
Max.pressure	0PSI to 7500PSI

Custom parameters

Max.speed	11000RPM
Temperature Range	0°C to 560°C
Max.pressure	-15000PSI to 15000PSI

QS SERIES



OUTLINE DIMENSION (UNIT) mm												
TYPE	A	B	DØ	E	FØ	GØ	H	I	L	T	V	W
QS-G3/8	G3/8	G3/8	9	129	43	25	17	13	73	97	6	G1/4
QS-G1/2	G1/2	G1/2	13	146	55	30	24	13	82	110	10	G3/8
QS-G3/4	G3/4	G3/4	18	173	64	37	30	16	94	129	13	G1/2
QS-G1	G1	G1	23	200	70	45	36	20	105	148	16	G1/2
QS-G1 ^{1/4}	G1 ^{1/4}	G1 ^{1/4}	31	224	85	55	46	22	119	162	22	G3/4
QS-G1 ^{1/2}	G1 ^{1/2}	G1 ^{1/2}	36	256	92	60	55	24	132	183	26	G1
QS-G2	G2	G2	48	281	110	70	60	25	139	199	32.2	G1 ^{1/4}

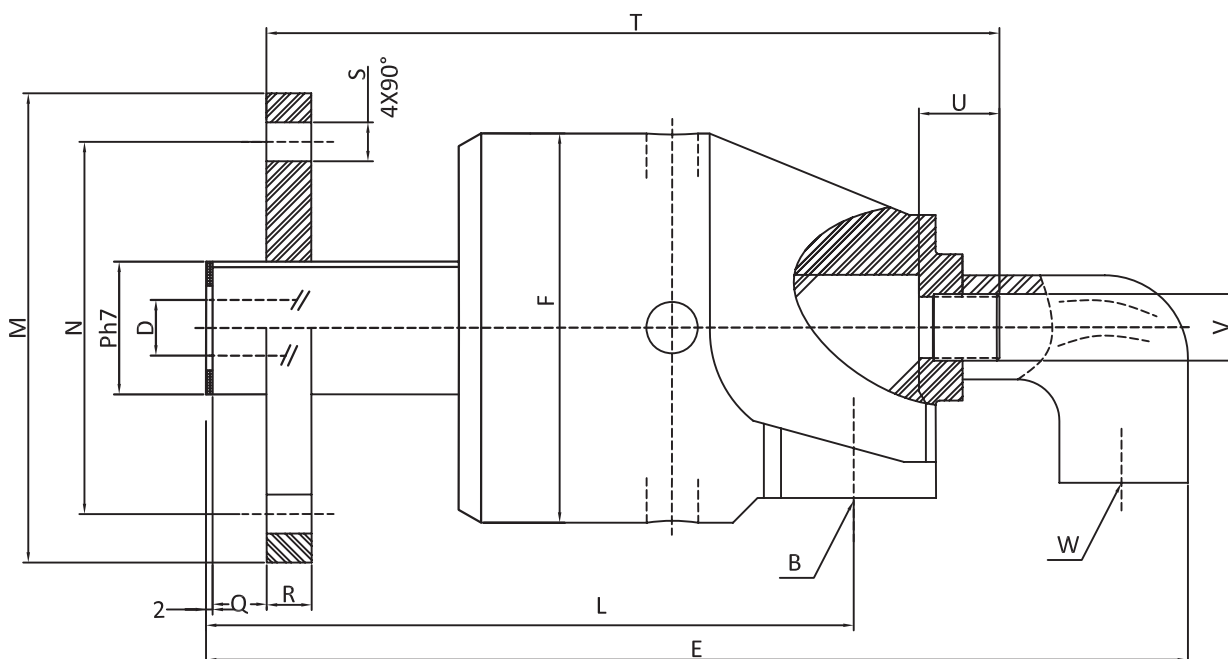
Parameter

Max.speed	6000RPM
Temperature Range	5°C to 150°C
Max.pressure	0PSI to 7500PSI

Custom parameters

Max.speed	11000RPM
Temperature Range	0°C to 560°C
Max.pressure	-15000PSI to 15000PSI

QS SERIES



OUTLINE DIMENSION

(UNIT) mm

TYPE	B	D \varnothing	E	F \varnothing	L	M \varnothing	N \varnothing	P \varnothing h7	Q	R	T	V	W	S	U
QSF-G3/8	G3/8	9	132	43	82	53	38	18	6	8	106	6	G1/4	9	20
QSF-G1/2	G1/2	13	151	55	92	60	45	25	6	10	120	10	G3/8	9	22
QSF-G3/4	G3/4	18	172	64	101	68	50	30	6	10	136	13	G1/2	9	22
QSF-G1	G1	23	202	70	119	78	60	36	7	12	161	16	G1/2	9	25
QSF-G1 ^{1/4}	G1 ^{1/4}	31	225	85	133	94	70	44	8	12	176	22	G3/4	11	26
QSF-G1 ^{1/2}	G1 ^{1/2}	36	251	92	139	99	78	52	10	14	190	26	G1	11	30
QSF-G2	G2	48	282	110 G2	154	119	95	65	10	14	214	32.2	G1 ^{1/4}	11	34

H D Q



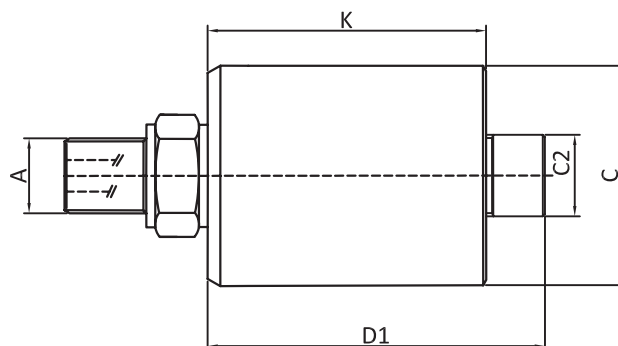
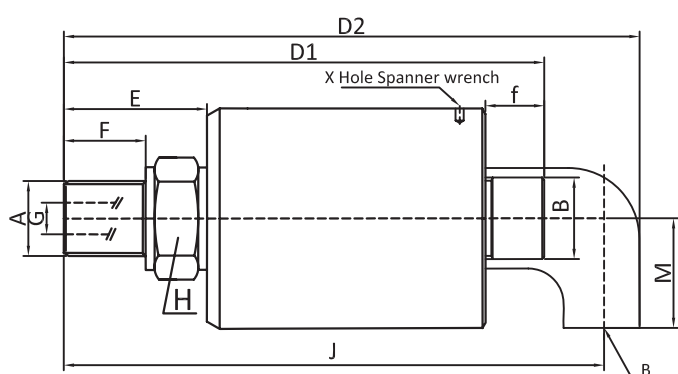
Parameter

Max.speed	6000RPM
Temperature Range	5°C to 150°C
Max.pressure	0PSI to 7500PSI

Custom parameters

Max.speed	11000RPM
Temperature Range	0°C to 560°C
Max.pressure	-15000PSI to 15000PSI

DD SERIES



OUTLINE DIMENSION															(UNIT) mm
TYPE	A	C \varnothing_{h9}	D1	D2	E	F	G \varnothing	H	J	f	K	M	X	C2	-
DD-G3/8	G3/8	42	93	119	26	16	9.5	22	93	12	54.5	25	4	18	-
DD-G1/2	G1/2	55	109	138	34	19	12.7	30	107	14	60.5	28	4	22	-
DD-G3/4	G3/4	63	122	158	35	19	17.5	36	124	16	71.5	33	6	28	-
DD-M27 X1.5	M27 X1.5	63	123	159	38	15	17.5	36	121	16	71.5	33	6	28	-
DD-M35 X1.5	M35 X1.5	63	126	161	41	15	17.5	41	131	16	71.5	33	6	35	-
DD-G1	G1	80	138	181	55	22	28	36	140	18	78.5	38	6	35	-
DD-G1 ^{1/4}	G1 ^{1/4}	90	153	205	55	22	28	46	141	20	78.5	38	6	43	-
DD-G1 ^{1/2}	G1 ^{1/2}	90	184	243	72	29	29	55	155	22	89.5	45	6	49	-
DD-M50 X1.5	M50 X1.5	90	177	236	65	29	29	55	187	22	89.5	50	6	49	-
DD-G2	G2	110	205	275	65	29	29	65	213	25	114.5	58	6	61	-

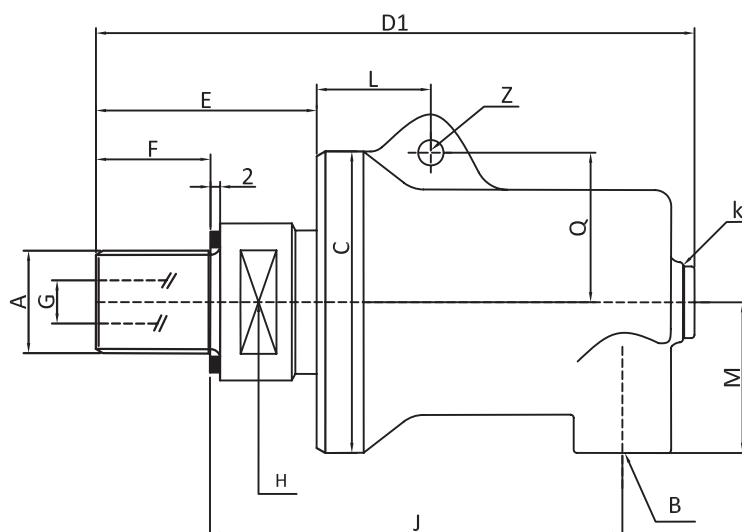
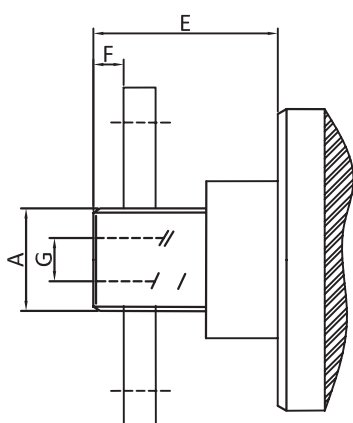
Parameter

Max.speed	6000RPM
Temperature Range	5°C to 150°C
Max.pressure	0PSI to 7500PSI

Custom parameters

Max.speed	11000RPM
Temperature Range	0°C to 560°C
Max.pressure	-15000PSI to 15000PSI

DS SERIES



OUTLINE DIMENSION		(UNIT) mm													
DN	TYPE	A	B	CØ	D1	E	F	H	J	K	L	M	Q	Z	-
20	DS-G3/4	G3/4	G3/4	87	155	48	19	27	109	G1	37	51	49	12	-
25	DS-G1	G1	G1	97	184	60	22	32	129	G1	38	54	54	13	-
32	DS-G1 ^{1/4}	G1 ^{1/4}	G1 ^{1/4}	112	206	65	25.4	41	140	G1 ^{1/2}	42	66	60	13.5	-
40	DS-G1 ^{1/2}	G1 ^{1/2}	G1 ^{1/2}	136	230	68	28.5	46	153	G1 ^{1/2}	55	79	73	16	-
50	DS-G2	G2	G2	155	252	72	30	60	168	G1 ^{1/2}	62	62	87	16	-