

Features

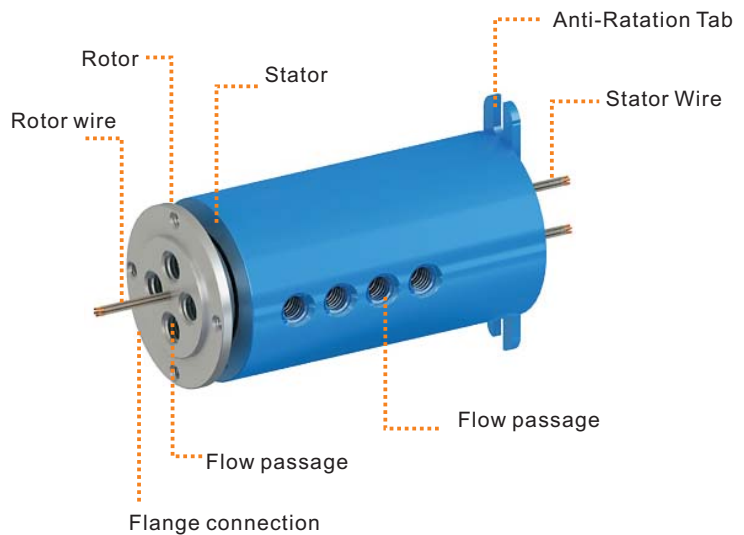
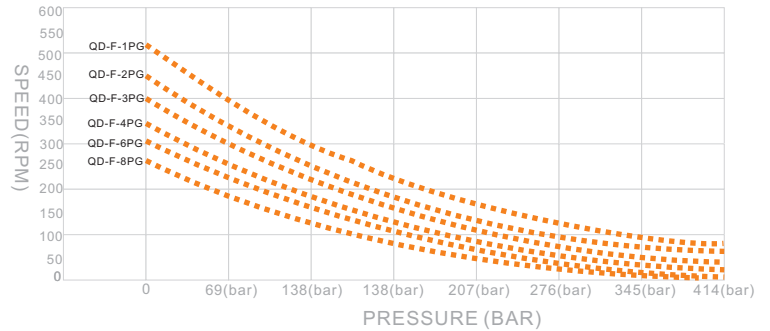
- Proprietary "slide" seal provides long life and dry-running
- Can combine gas, water, oil, vacuum in same rotary joint
- Modular design. Meet the most of requirement
- Heat-treated stainless steel rotor

How do I choose the best rotary joint for my application?

Tell us about your requirements so we can make a recommendation

- 1) Type of media(s)/fluid(s) to be transferred
- 2) Number of independent flow passages
- 3) Operating pressure
- 4) Operating temperature
- 5) Operating speed
- 6) Shaft & housing connection type
- 7) Flow passage size
- 8) Torque & load requirements

Performance Data



Product code parsing

QD-F-1PG-G1/8-S06P02

Product Code

Flange installation

1 Passage

Screw thread G1/8

2 rings current

6 rings signal

QD-F-1PG

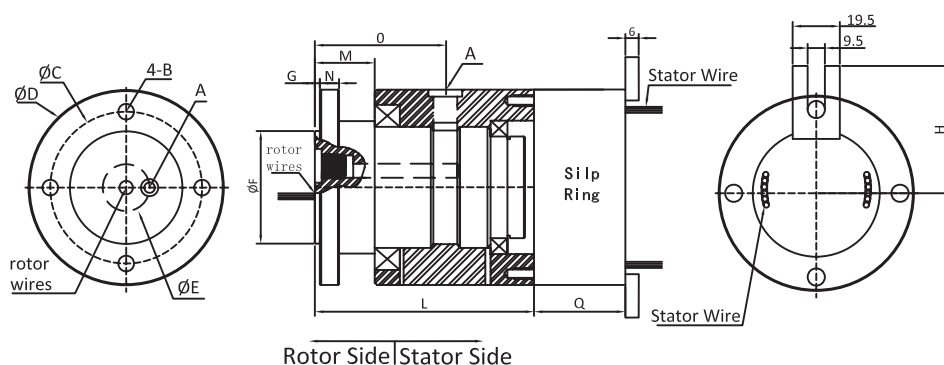


Parameter

| | |
|-------------------|------------------------|
| Max.speed | 160RPM |
| Temperature Range | 5°C to 150°C |
| Max.pressure | 0PSI to 3500PSI |
| Protection Grade | IP51 |
| Contact Material | Rare metal (gold-gold) |

| | |
|----------------------|--------------|
| Lead Length | Teflon 250mm |
| Rated Voltage | 600VDC/VAC |
| Compressive Strength | 1000VDC@50HZ |
| Bration Level | MIL-SID-810E |
| Humidity | 10% to 90%RH |
| CE Proofed | YES |

QD-F-1PG SERIES



| OUTLINE DIMENSION | | (UNIT) mm | | | |
|-------------------|-------------|---------------|---------------|---------------|---------------|
| TYPE | QD-F-1PG-M5 | QD-F-1PG-G1/8 | QD-F-1PG-G1/4 | QD-F-1PG-G3/8 | QD-F-1PG-G1/2 |
| A | M5 | G1/8 | G1/4 | G3/8 | G1/2 |
| B | M6 | M6 | M6 | M8 | M8 |
| C | 55 | 55 | 55 | 60 | 71 |
| D | 65 | 65 | 65 | 70 | 85 |
| E | 12 | 15 | 18 | 21 | 25 |
| F | 33 | 38 | 43 | 48 | 55 |
| G | 2 | 2 | 2 | 2 | 2 |
| H | 50 | 50 | 50 | 52 | 73 |
| M | 17 | 17 | 17 | 20 | 20 |
| L | 63 | 69 | 73 | 77 | 86 |
| N | 5 | 5 | 5 | 8 | 8 |
| O | 34.4 | 36.4 | 38.4 | 40.4 | 46.4 |
| Q | 33+S | 33+S | 33+S | 33+S | 33+S |

Attention:

s=1 ring =3mm Support 1to96 ring current and signal.Standard 2 ring circuit length for 33mm

Tel: 086-755-27222664
Fax: 086-755-27222306

Web:<http://www erotaryjoint.com>
Email:sales@erotaryjoint.com

QD-F-2PG

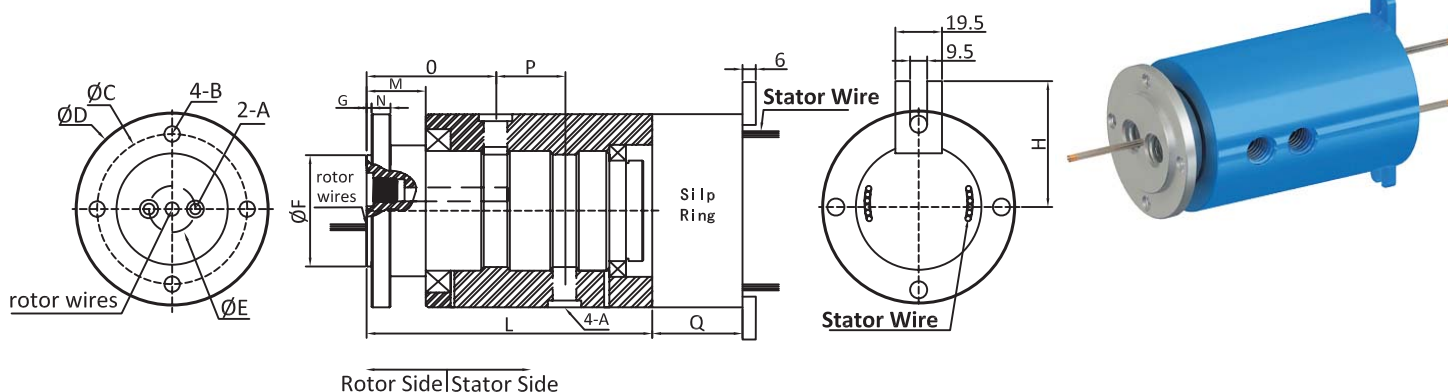


Parameter

| | |
|-------------------|------------------------|
| Max.speed | 160RPM |
| Temperature Range | 5°C to 150°C |
| Max.pressure | 0PSI to 3500PSI |
| Protection Grade | IP51 |
| Contact Material | Rare metal (gold-gold) |

| | |
|----------------------|--------------|
| Lead Length | Teflon 250mm |
| Rated Voltage | 600VDC/VAC |
| Compressive Strength | 1000VDC@50HZ |
| Bration Level | MIL-SID-810E |
| Humidity | 10% to 90%RH |
| CE Proofed | YES |

QD-F-2PG SERIES



Rotor Side | Stator Side

| OUTLINE DIMENSION | | (UNIT) mm | | | |
|-------------------|-------------|---------------|---------------|---------------|---------------|
| TYPE | QD-F-2PG-M5 | QD-F-2PG-G1/8 | QD-F-2PG-G1/4 | QD-F-2PG-G3/8 | QD-F-2PG-G1/2 |
| A | M5 | G1/8 | G1/4 | G3/8 | G1/2 |
| B | M6 | M6 | M6 | M8 | M8 |
| C | 55 | 55 | 60 | 65 | 78 |
| D | 65 | 65 | 70 | 75 | 90 |
| E | 12 | 15 | 23 | 24 | 28 |
| F | 33 | 38 | 53 | 58 | 60 |
| G | 2 | 2 | 2 | 2 | 2 |
| H | 50 | 50 | 52 | 55 | 60 |
| M | 17 | 17 | 17 | 20 | 20 |
| L | 77 | 87 | 95 | 103 | 117 |
| N | 5 | 5 | 5 | 8 | 8 |
| O | 34.4 | 36.4 | 38.4 | 40.4 | 46.4 |
| P | 12 | 16 | 20 | 24 | 29 |
| Q | 33+S | 33+S | 33+S | 33+S | 33+S |

Attention:

s=1 ring =3mm Support 1to96 ring current and signal. Standard 2 ring circuit length for 33mm

Tel: 086-755-27222664
Fax: 086-755-27222306

Web: <http://www erotaryjoint.com>
Email: sales@erotaryjoint.com

QD-F-3PG

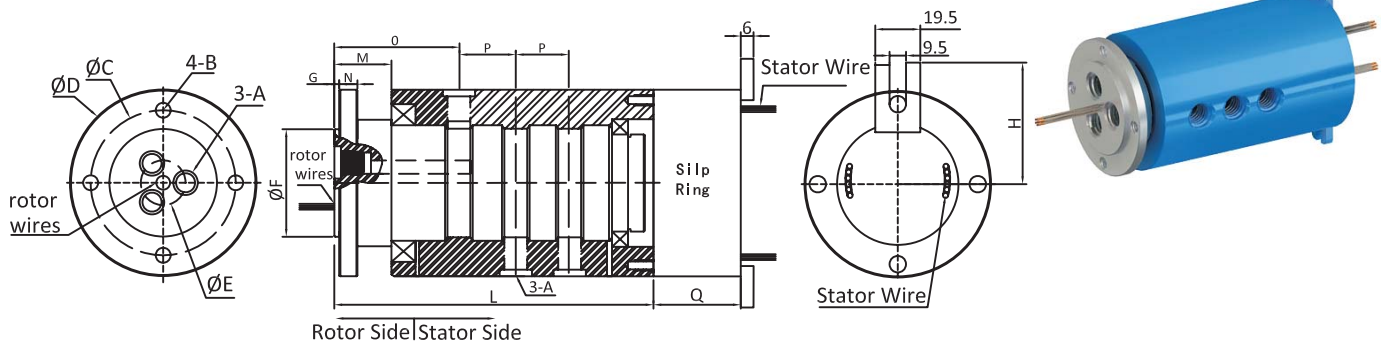


Parameter

| | |
|-------------------|------------------------|
| Max.speed | 160RPM |
| Temperature Range | 5°C to 150°C |
| Max.pressure | 0PSI to 3500PSI |
| Protection Grade | IP51 |
| Contact Material | Rare metal (gold-gold) |

| | |
|----------------------|--------------|
| Lead Length | Teflon 250mm |
| Rated Voltage | 600VDC/VAC |
| Compressive Strength | 1000VDC@50HZ |
| Bration Level | MIL-SID-810E |
| Humidity | 10% to 90%RH |
| CE Proofed | YES |

QD-F-3PG SERIES



| OUTLINE DIMENSION | | (UNIT) mm | | | |
|-------------------|-------------|---------------|---------------|---------------|---------------|
| TYPE | QD-F-3PG-M5 | QD-F-3PG-G1/8 | QD-F-3PG-G1/4 | QD-F-3PG-G3/8 | QD-F-3PG-G1/2 |
| A | M5 | G1/8 | G1/4 | G3/8 | G1/2 |
| B | M6 | M6 | M6 | M8 | M8 |
| C | 55 | 55 | 60 | 65 | 73 |
| D | 65 | 65 | 70 | 75 | 85 |
| G | 12 | 20 | 23 | 24 | 30 |
| F | 33 | 38 | 53 | 58 | 60 |
| E | 2 | 2 | 2 | 2 | 2 |
| H | 43 | 53 | 58 | 63 | 71 |
| M | 17 | 17 | 17 | 20 | 20 |
| L | 89 | 103 | 115 | 131 | 146 |
| N | 5 | 5 | 5 | 8 | 8 |
| O | 34.4 | 36.4 | 38.4 | 40.4 | 46.4 |
| P | 12 | 16 | 20 | 24 | 29 |
| Q | 33+S | 33+S | 33+S | 33+S | 33+S |

Attention:

s=1 ring =3mm Support 1to96 ring current and signal.Standard 2 ring circuit length for 33mm

Tel: 086-755-27222664
Fax: 086-755-27222306

Web:<http://www erotaryjoint.com>
Email:sales@erotaryjoint.com

QD-F-4PG

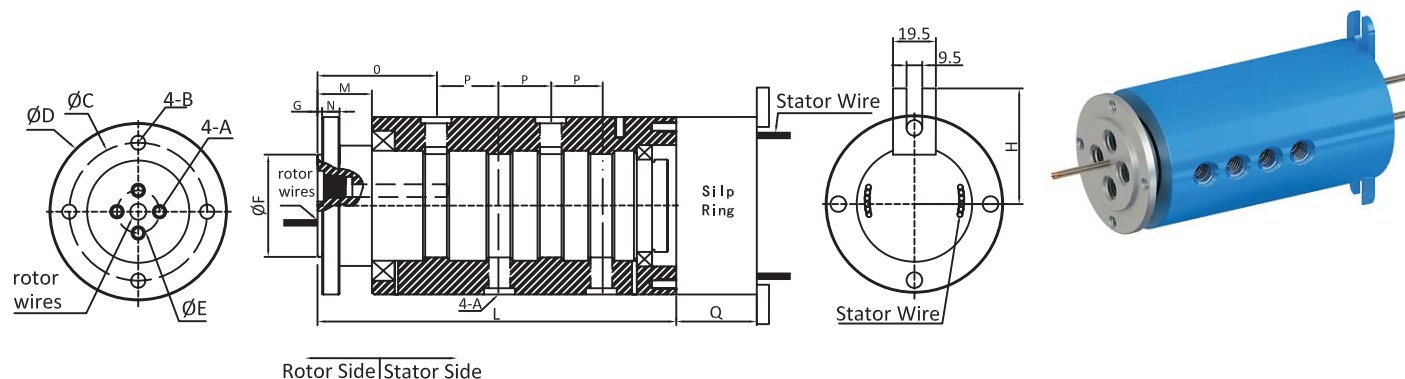


Parameter

| | |
|-------------------|------------------------|
| Max.speed | 160RPM |
| Temperature Range | 5°C to 150°C |
| Max.pressure | 0PSI to 3500PSI |
| Protection Grade | IP51 |
| Contact Material | Rare metal (gold-gold) |

| | |
|----------------------|--------------|
| Lead Length | Teflon 250mm |
| Rated Voltage | 600VDC/VAC |
| Compressive Strength | 1000VDC@50HZ |
| Bration Level | MIL-SID-810E |
| Humidity | 10% to 90%RH |
| CE Proofed | YES |

QD-F-4PG SERIES



| OUTLINE DIMESION | | (UNIT) mm | | | |
|------------------|-------------|---------------|---------------|---------------|---------------|
| TYPE | QD-F-4PG-M5 | QD-F-4PG-G1/8 | QD-F-4PG-G1/4 | QD-F-4PG-G3/8 | QD-F-4PG-G1/2 |
| A | M5 | G1/8 | G1/4 | G3/8 | G1/2 |
| B | M6 | M6 | M6 | M8 | M10 |
| C | 55 | 55 | 70 | 78 | 81 |
| D | 65 | 65 | 80 | 90 | 95 |
| E | 12 | 15 | 28 | 34 | 35 |
| F | 33 | 43 | 53 | 63 | 65 |
| G | 2 | 2 | 2 | 2 | 2 |
| H | 50 | 50 | 57 | 62 | 65 |
| M | 17 | 17 | 20 | 20 | 20 |
| L | 101 | 119 | 140 | 159 | 177 |
| N | 5 | 5 | 8 | 8 | 8 |
| O | 34.4 | 36.4 | 38.4 | 40.4 | 49.4 |
| P | 12 | 16 | 20 | 25 | 29 |
| Q | 33+S | 33+S | 33+S | 33+S | 33+S |

Attention:
 s=1 ring =3mm Support 1to96 ring current and signal. Standard 2 ring circuit length for 33mm

QD-F-6PG

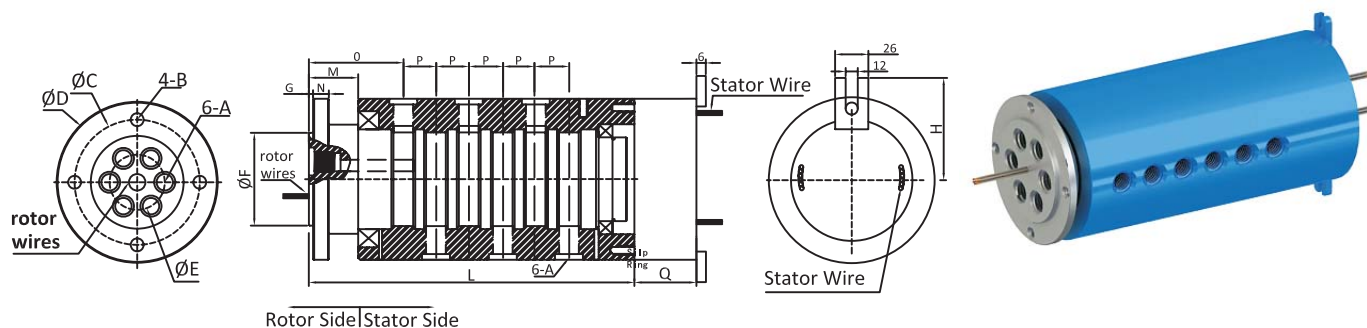


Parameter

| | |
|-------------------|------------------------|
| Max.speed | 160RPM |
| Temperature Range | 5°C to 150°C |
| Max.pressure | 0PSI to 3500PSI |
| Protection Grade | IP51 |
| Contact Material | Rare metal (gold-gold) |

| | |
|----------------------|--------------|
| Lead Length | Teflon 250mm |
| Rated Voltage | 600VDC/VAC |
| Compressive Strength | 1000VDC@50HZ |
| Bration Level | MIL-SID-810E |
| Humidity | 10% to 90%RH |
| CE Proofed | YES |

QD-F-6PG SERIES



| OUTLINE DIMESION | | (UNIT) mm | | | |
|------------------|-------------|---------------|---------------|---------------|---------------|
| TYPE | QD-F-6PG-M5 | QD-F-6PG-G1/8 | QD-F-6PG-G1/4 | QD-F-6PG-G3/8 | QD-F-6PG-G1/2 |
| A | M5 | G1/8 | G1/4 | G3/8 | G1/2 |
| B | M6 | M6 | M6 | M10 | M10 |
| C | 55 | 70 | 76 | 96 | 101 |
| D | 65 | 80 | 90 | 110 | 115 |
| E | 17 | 20 | 38 | 42 | 50 |
| F | 38 | 43 | 63 | 73 | 78 |
| G | 2 | 2 | 2 | 2 | 2 |
| H | 50 | 57 | 62 | 72 | 75 |
| M | 17 | 17 | 20 | 20 | 20 |
| L | 127 | 158 | 182 | 215 | 239 |
| N | 5 | 5 | 8 | 8 | 8 |
| O | 34.4 | 36.4 | 38.4 | 47.4 | 49.5 |
| P | 12 | 16 | 20 | 25 | 29 |
| Q | 33+S | 33+S | 33+S | 33+S | 33+S |

Attention:

s=1 ring =3mm Support 1to96 ring current and signal.Standard 2 ring circuit length for 33mm

Tel: 086-755-27222664
Fax: 086-755-27222306

Web:<http://www erotaryjoint.com>
Email:sales@erotaryjoint.com

QD-F-8PG

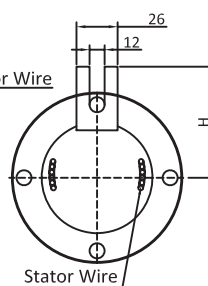
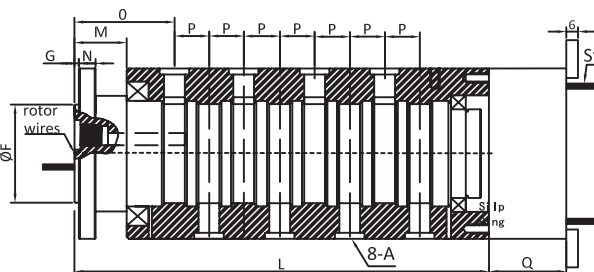
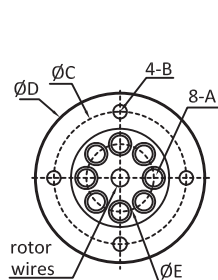


Parameter

| | |
|-------------------|------------------------|
| Max.speed | 160RPM |
| Temperature Range | 5°C to 150°C |
| Max.pressure | 0PSI to 3500PSI |
| Protection Grade | IP51 |
| Contact Material | Rare metal (gold-gold) |

| | |
|----------------------|--------------|
| Lead Length | Teflon 250mm |
| Rated Voltage | 600VDC/VAC |
| Compressive Strength | 1000VDC@50HZ |
| Bration Level | MIL-SID-810E |
| Humidity | 10% to 90%RH |
| CE Proofed | YES |

QD-F-8PG SERIES



Rotor Side | Stator Side

| OUTLINE DIMESION | | (UNIT) mm | | | |
|------------------|--------------|---------------|---------------|---------------|---------------|
| TYPE | QD-F-8PG-M51 | QD-F-8PG-G1/8 | QD-F-8PG-G1/4 | QD-F-8PG-G3/8 | QD-F-8PG-G1/2 |
| A | M5 | G1/8 | G1/4 | G3/8 | G1/2 |
| B | M6 | M6 | M10 | M10 | M10 |
| C | 55 | 80 | 85 | 106 | 111 |
| D | 65 | 90 | 95 | 120 | 125 |
| E | 22 | 40 | 48 | 52 | 55 |
| F | 43 | 58 | 68 | 73 | 88 |
| G | 2 | 2 | 2 | 2 | 2 |
| H | 50 | 62 | 67 | 71 | 80 |
| M | 17 | 17 | 20 | 20 | 20 |
| L | 151 | 192 | 231 | 239 | 297 |
| N | 5 | 5 | 8 | 8 | 8 |
| O | 34.4 | 37.4 | 41.4 | 47.4 | 49.5 |
| P | 12 | 17 | 21 | 25 | 29 |
| Q | 33+S | 33+S | 33+S | 33+S | 33+S |

Attention:

s=1 ring =3mm Support 1to96 ring current and signal.Standard 2 ring circuit length for 33mm

Tel: 086-755-27222664
Fax: 086-755-27222306

Web:<http://www erotaryjoint.com>
Email:sales@erotaryjoint.com